



FORGED STEEL BELLOWS VALVES

- WEKE Forged steel bellows seal valve, designed as double sealing (bellows seal + gland packing seal), that ensure the valves zero leakage.
- More than 10,000 cycles life.

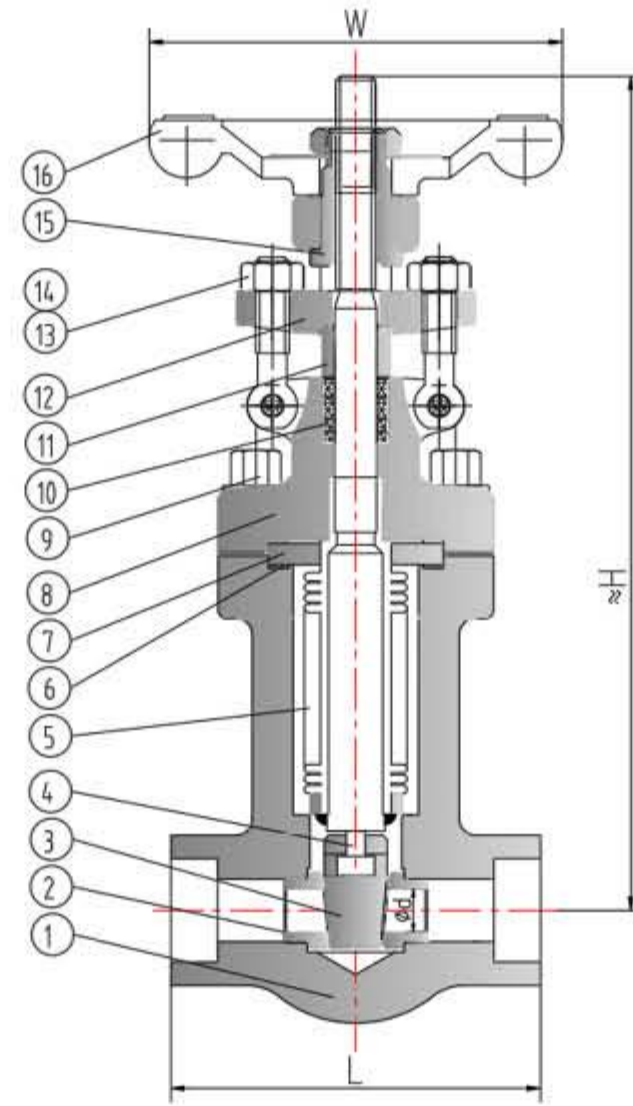


Design Feature

- Double seal (Bellows seal + gland packing)
- Full port or Reduced port
- OS&Y, Outside screw and yoke
- The gland and gland flange self aligning design
- Bolted bonnet/Welded Bonnet
- Integral type back seat
- Socket welded (SW) ends to ASME B16.11
- Screwed ends (NPT) to ASME B1.20.1.
- BW ends to ASME B16.25
- Flanges (RF/RTJ) according to ASME B16.5.
- Integral flange or welded flange
- Y-Pattern globe valve bellows sealed

BELLOWS GATE VALVE

800LB 1500LB
 SW/BW/NPT END



Material List

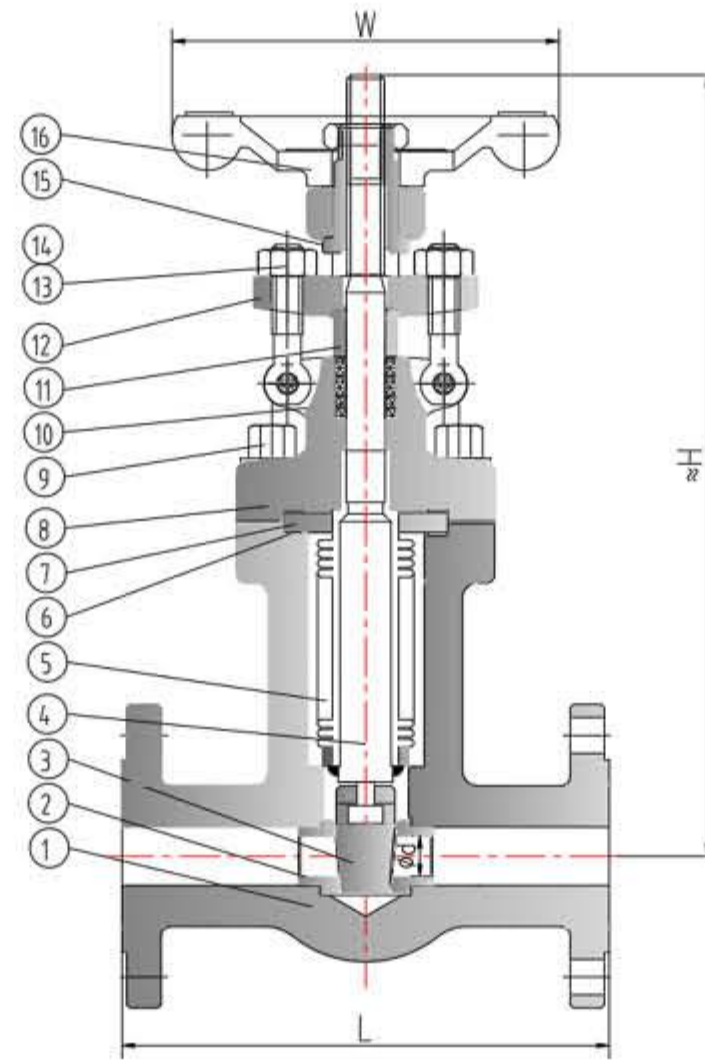
No.	Part Name	Cast Steel	Stainless Steel	
1	Body	A105	A182 F304(L)	A182 F316(L)
2	Seat	A182 F6a	A182 F304(L)	A182 F316(L)
3	Disc	A182 F6a	A182 F304(L)	A182 F316(L)
4	Stem	A182 F6a	A182 F304(L)	A182 F316(L)
5	Bellows	SS304/SS316/SS321/SS316Ti	SS304/SS316/SS321/SS316Ti	SS316/SS321/SS316Ti
6	Gasket	SPW.SS304+Graphite	Graphite+SS	Graphite+SS
7	Bellow cover	SS304	SS304	SS316
8	Bonnet	A105	A182 F304(L)	A182 F316(L)
9	Bolt	A193 B7	A193 B8	A193 B8M
10	Packing	Graphite+SS	Graphite+SS	Graphite+SS
11	Gland	A276 410	A182 F304(L)	A182 F316(L)
12	Gland flange	A105	A182 F304	A182 F316
13	Bolt	A193 B7	A193 B8	A193 B8M
14	Nut	A194 2H	A194 8	A194 8M
15	Stem nut	A276 410	A276 410	A276 410
16	Hand wheel	A197	A197	A197

Dimension and Weight

NPS		Conv.	3/8"	1/2"	3/4"	1"	1 1/4"	1 1/2"	2"	/	
			Full	/	3/8"	1/2"	3/4"	1"	1 1/4"	1 1/2"	2"
800LB	L	mm	79	79	92	111	120	120	140	178	
	H(OPEN)	mm	237	237	239	270	298	340	395	470	
	W	mm	100	100	100	125	160	160	180	200	
	d	mm	7.5	10.5	13.5	18	24	29	36.5	45	
	Weight	Bolted	kg	2.7	2.7	3.1	5.1	7.6	9.2	12	-
		Welded	kg	-	3.1	3.1	5.1	7.6	9.2	12	20
1500LB	L	mm	79	111	111	120	120	140	178	180	
	H(OPEN)	mm	294	330	380	380	400	450	520	650	
	W	mm	100	125	125	160	160	180	200	220	
	d	mm	7.5	10.5	13.5	18	24	29	36.5	45	
	Weight	Bolted	kg	5.1	5.1	7.6	9.2	12	16	27	-
		Welded	kg	-	5.1	7.6	9.2	12	16	27	35

BELLOWS GATE VALVE

150LB 300LB 600LB
RF END



Material List

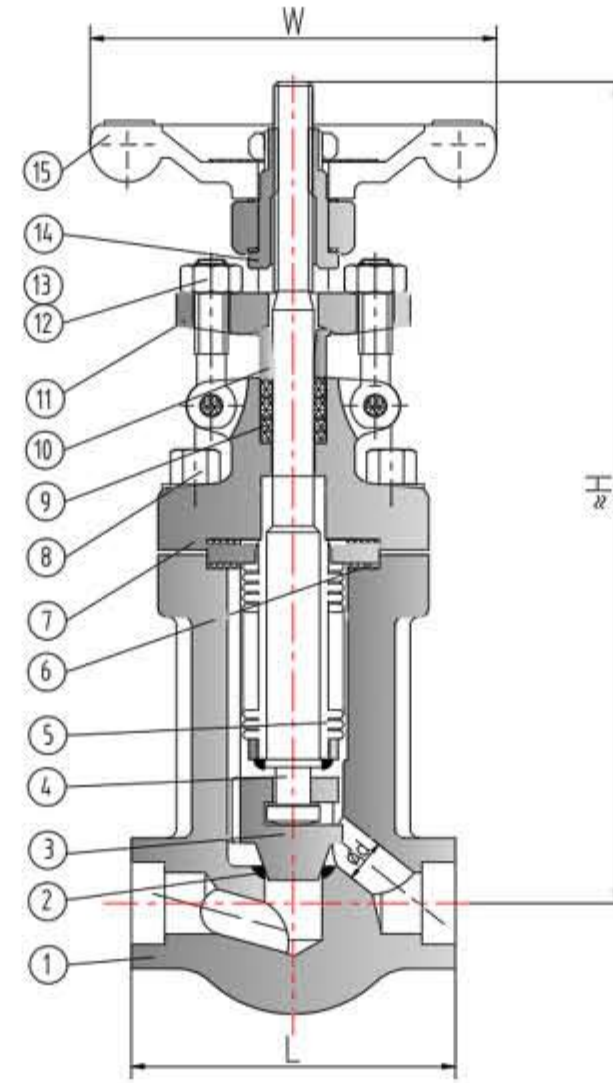
No .	Part Name	Cast Steel	Stainless Steel	
1	Body	A105	A182 F304(L)	A182 F316(L)
2	Seat	A182 F6a	A182 F304(L)	A182 F316(L)
3	Disc	A182 F6a	A182 F304(L)	A182 F316(L)
4	Stem	A182 F6a	A182 F304(L)	A182 F316(L)
5	Bellows	SS304/SS316/SS321/SS316Ti	SS304/SS316/SS321/SS316Ti	SS316/SS321/SS316Ti
6	Gasket	SPW.SS304+Graphite	Graphite+SS	Graphite+SS
7	Bellow cover	SS304	SS304	SS316
8	Bonnet	A105	A182 F304(L)	A182 F316(L)
9	Bolt	A193 B7	A193 B8	A193 B8M
10	Packing	Graphite+SS	Graphite+SS	Graphite+SS
11	Gland	A276 410	A182 F304(L)	A182 F316(L)
12	Gland flange	A105	A182 F304	A182 F316
13	Bolt	A193 B7	A193 B8	A193 B8M
14	Nut	A194 2H	A194 8	A194 8M
15	Stem nut	A276 410	A276 410	A276 410
16	Hand wheel	A197	A197	A197

Dimension and Weight

		NPS		1/2"	3/4"	1"	1 1/4"	1 1/2"	2"
150LB	L	mm		108	117	127	140	165	178
	H(OPEN)	mm		280	290	310	330	350	400
	W	mm		100	100	125	160	160	180
	d	mm		9.0	13	17.5	29	36.5	45
	Weight	kg		4.2	4.8	7.7	12.5	14.5	21
300LB	L	mm		140	152	165	178	190	216
	H(OPEN)	mm		290	300	320	350	370	410
	W	mm		100	100	125	160	160	180
	d	mm		9.0	13	17.5	29	36.5	45
	Weight	kg		4.5	5.2	8.2	14.5	16	23
600LB	L	mm		165	190	216	229	241	292
	H(OPEN)	mm		290	300	320	350	370	410
	W	mm		100	100	125	160	160	180
	d	mm		9.0	13	17.5	29	36.5	45
	Weight	kg		6.0	8.0	13	18	25	35

BELLOWS GLOBE VALVE

800LB 1500LB
 SW/BW/NPT END



Material List

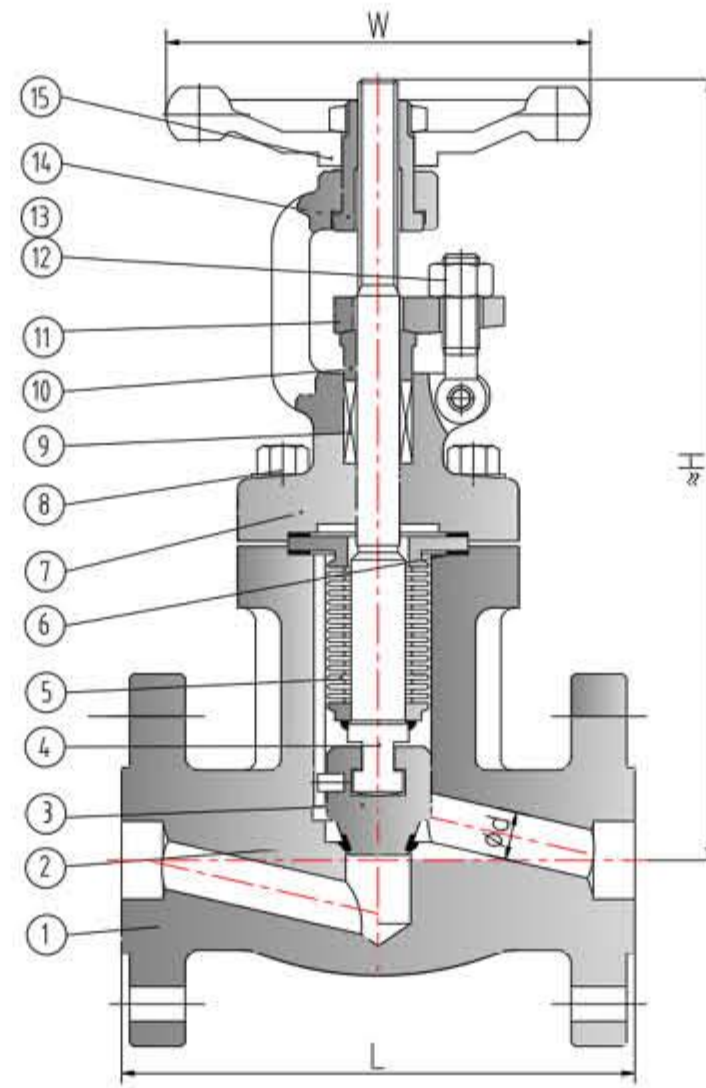
No.	Part Name	Cast Steel	Stainless Steel	
1	Body	A105	A182 F304(L)	A182 F316(L)
2	Seat	A182 F6a	A182 F304(L)	A182 F316(L)
3	Disc	A182 F6a	A182 F304(L)	A182 F316(L)
4	Stem	A182 F6a	A182 F304(L)	A182 F316(L)
5	Bellows	SS304/SS316/SS321/SS316Ti	SS304/SS316/SS321/SS316Ti	SS316/SS321/SS316Ti
6	Gasket	Graphite+SS	Graphite+SS	Graphite+SS
7	Bonnet	A105	A182 F304(L)	A182 F316(L)
8	Bolt	A193 B7	A193 B8	A193 B8M
9	Packing	Graphite+SS	Graphite+SS	Graphite+SS
10	Gland	A276 410	A182 F304(L)	A182 F316(L)
11	Gland flange	A105	A182 F304	A182 F316
12	Bolt	A193 B7	A193 B8	A193 B8M
13	Nut	A194 2H	A194 8	A194 8M
14	Stem nut	A276 410	A276 410	A276 410
15	Hand wheel	A197	A197	A197

Dimension and Weight

NPS		Conv.	3/8"	1/2"	3/4"	1"	1 1/4"	1 1/2"	2"	/	
			Full	/	3/8"	1/2"	3/4"	1"	1 1/4"	1 1/2"	2"
800LB	L	mm	79	79	92	111	120	152	172	220	
	H(OPEN)	mm	237	237	239	270	298	340	395	470	
	W	mm	100	100	100	125	160	160	180	200	
	d	mm	7.5	9	13.5	18	24	29	35	45	
	Weight	Bolted	kg	2.7	2.7	3.1	5.1	7.6	9.2	12	-
		Welded	kg	-	3.1	3.1	5.1	7.6	9.2	12	20
1500LB	L	mm	92	111	111	120	152	172	200	220	
	H(OPEN)	mm	294	330	380	380	400	450	520	650	
	W	mm	100	125	125	160	160	180	200	220	
	d	mm	7.5	9	15	20	28	32	40	45	
	Weight	Bolted	kg	5.1	5.1	7.6	9.2	12	16	27	-
		Welded	kg	-	5.1	7.6	9.2	12	16	27	35

BELLOWS GLOBE VALVE

150LB 300LB 600LB
 RF END



Material List

No .	Part Name	Cast Steel	Stainless Steel	
1	Body	A105	A182 F304(L)	A182 F316(L)
2	Seat	A182 F6a	A182 F304(L)	A182 F316(L)
3	Disc	A182 F6a	A182 F304(L)	A182 F316(L)
4	Stem	A182 F6a	A182 F304(L)	A182 F316(L)
5	Bellows	SS304/SS316/SS321/SS316Ti	SS304/SS316/SS321/SS316Ti	SS316/SS321/SS316Ti
6	Gasket	Graphite+SS	Graphite+SS	Graphite+SS
7	Bonnet	A105	A182 F304(L)	A182 F316(L)
8	Bolt	A193 B7	A193 B8	A193 B8M
9	Packing	Graphite+SS	Graphite+SS	Graphite+SS
10	Gland	A276 410	A182 F304(L)	A182 F316(L)
11	Gland flange	A105	A182 F304	A182 F316
12	Bolt	A193 B7	A193 B8	A193 B8M
13	Nut	A194 2H	A194 8	A194 8M
14	Stem nut	A276 410	A276 410	A276 410
15	Hand wheel	A197	A197	A197

Dimension and Weight

		NPS		1/2"	3/4"	1"	1 1/4"	1 1/2"	2"
150LB	L	mm		108	117	127	140	165	203
	H(OPEN)	mm		280	290	310	330	350	400
	W	mm		100	100	125	160	160	180
	d	mm		9.0	13	17.5	23	30	35
	Weight	kg		4.2	4.8	7.7	12.5	14.5	21
300LB	L	mm		152	178	203	216	229	267
	H(OPEN)	mm		290	300	320	350	370	410
	W	mm		100	100	125	160	160	180
	d	mm		9.0	13	17.5	23	30	35
	Weight	kg		4.5	5.2	8.2	14.5	16	23
600LB	L	mm		165	190	216	229	241	292
	H(OPEN)	mm		290	300	320	350	370	410
	W	mm		100	100	125	160	160	180
	d	mm		9.0	13	17.5	23	30	35
	Weight	kg		6.0	8.0	13	18	25	35