



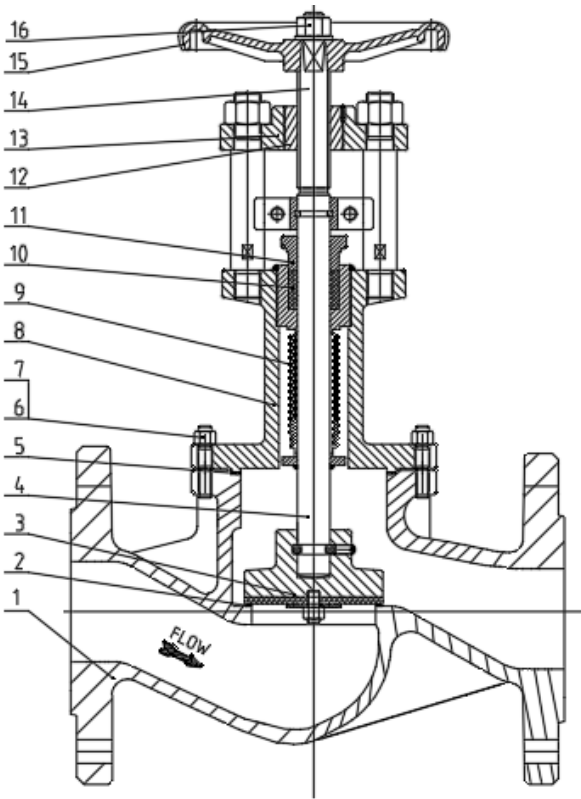
维柯阀门
WEIKE

Bellows Globe Valve For Chlorine

氯气专用波纹管截止阀



维柯阀门有限公司
WEIKE VALVE CO.,LTD



应用: 适用于有毒有害高危介质工况, 如干氯气, 氨气等。

设计特点:

1: 零泄漏密封:

主密封: 波纹管组件密封, 采用内藏式免冲刷设计, 通过液压成形, 多层结构, 可保证最大程度的寿命延长, 在压力 2.5MPa 下伸缩 (即开关) 可达 10000 次。

辅助密封: 非金属填料, 使用带缓蚀剂的编织填料, 更增加了可靠性、安全性以及耐高温性, 提供一个无需维护的条件。

2: 内限位装置, 增加阀杆的上限位, 保护阀门的使用安全, 有效的保护波纹管的弹性变量, 大大提高使用寿命。

3: 密封面 PTFE, 隔断性优异 (可选司太立密封)。

4: 波纹管选用特材哈氏合金 HC.276。

Application: Suitable for toxic and hazardous media conditions, such as dry chlorine, ammonia, etc.

Design features:

1: Zero leakage seal.

Main seal: Bellows assembly seal, with built-in flush-free design, by hydraulic forming, multi-layer structure, can ensure maximum life extension, expansion and contraction (open/close) up to 10,000 times at a pressure of 2.5 MPa.

Auxiliary seal: non-metallic packing, using braided packing with corrosion inhibitor, for added reliability, safety and resistance to high temperatures, providing a maintenance-free condition.

2: Internal limiting device, Increase the upper limit of the valve stem to protect the safety of the valve in use, effectively protecting the elastic variables

of the bellows and greatly increasing the service life.

3: Sealing with PTFE, excellent isolation (Optional Stellite Seal).

4: The bellows is made of special material Hastelloy HC.276.

序/No.	零件名称 Parts Name	材质 Materials
1	阀体 Body	LCB/16Mn
2	阀座 Seat	Overlay 13Cr / STL.6
3	阀瓣 Disc	F316
4	下阀杆 Down Stem	F316
5	垫片 Gasket	PTFE
6	螺栓 Bolt	A320 L7
7	螺母 Nut	A194 4
8	阀盖 Bonnet	LCB/16Mn
9	波纹管 Bellows	H.C 276
10	填料 Packing	PTFE
11	填料压盖 Packing gland	WCB
12	阀杆螺母 Stem nut	Cu
13	法兰盘 Flange	A105
14	上阀杆 Up stem	2CR13
15	手轮 Handwheel	WCB
16	锁紧螺母 Lock nut	A4-70

备注 Notes: 以上零件为常规产品材质, 如有特殊要求, 可根据客户要求变动, 如密封面为司太立。

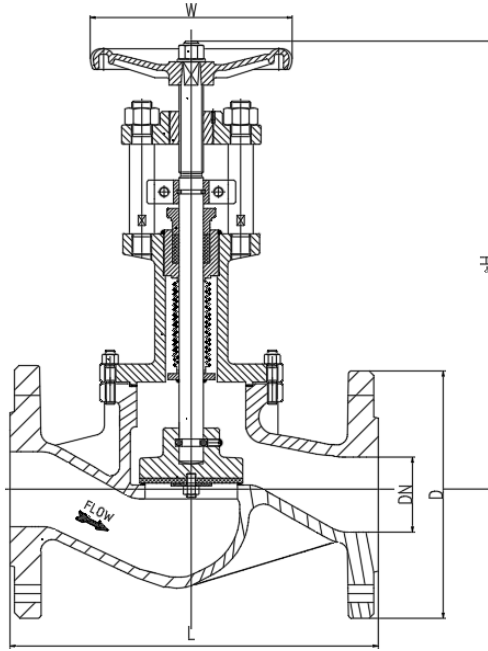
Above parts materials are used for conventional product. If there are special requirements, which can be changed according to customer requirements. For example, the sealing can be Stellite

All data, subject to technical changes, are only for information and not for official use.



WEIKE VALVE CO.,LTD

Add: Wuxing Industrial zone, 325105, Oubei Street, Wenzhou City, China
 Tel: +86-0577-67388022 Web: www.weke-valves.com Email: info@weke-valves.com

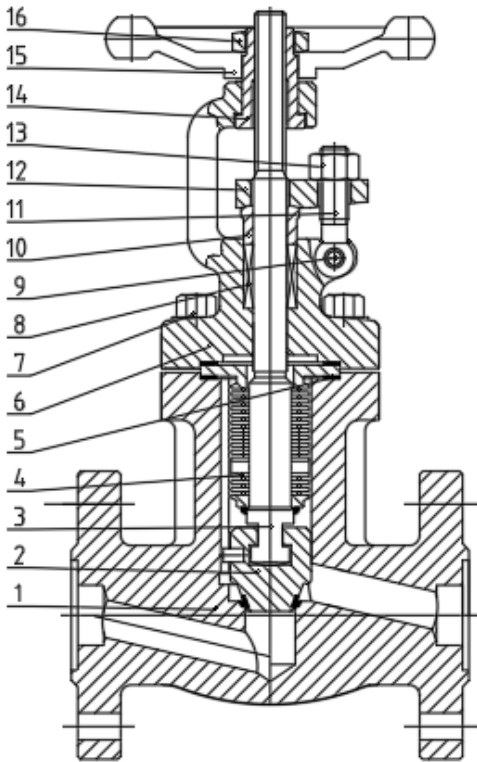


主要连接尺寸 Main Dimensions(mm)		Fig. LK811 PN16														
口径 Size DN	15	20	25	32	40	50	65	80	100	125	150	200	250	300	350	400
总长 L RF	130	150	160	180	200	230	290	310	350	400	480	600	730	850	980	1100
外圆 D	95	105	115	140	150	165	185	200	220	250	285	340	405	480	520	580
中心高 H	300	320	320	330	350	370	450	480	560	620	710	920	1030	1200	1350	1500
手轮 W	140	140	160	160	180	200	220	250	300	350	400	450	550	600	700	700
行程 Stroke	8	8	10	10	12	15	17	22	28	34	40	60	75	85	100	110
流量 Kvs (m3/h)	4.2	7.4	12	19	30	47	77	120	188	285	410	725	1140	1660	2230	2950
		Fig. LK812 PN25														
口径 Size DN	15	20	25	32	40	50	65	80	100	125	150	200	250	300	350	400
总长 L RF	130	150	160	180	200	230	290	310	350	400	480	600	730	850	980	1100
外圆 D	95	105	115	140	150	165	185	200	235	270	300	360	425	485	555	620
中心高 H	300	320	320	330	350	370	450	480	560	620	710	920	1030	1200	1350	1500
手轮 W	140	140	160	160	180	200	220	250	300	350	400	450	550	600	700	700
行程 Stroke	8	8	10	10	12	15	17	22	28	34	40	60	75	85	100	110
流量 Kvs (m3/h)	4.2	7.4	12	19	30	47	77	120	188	285	410	725	1140	1660	2230	2950
		Fig. LK813 PN40														
口径 Size DN	15	20	25	32	40	50	65	80	100	125	150	200	250	300	350	400
总长 L RF	130	150	160	180	200	230	290	310	350	400	480	600	730	850	980	1100
外圆 D	95	105	115	140	150	165	185	200	235	270	300	375	450	515	580	660
中心高 H	300	320	320	330	350	370	450	480	560	620	710	920	1030	1200	1350	1500
手轮 W	140	140	160	160	180	200	220	250	300	350	400	450	550	600	700	700
行程 Stroke	8	8	10	10	12	15	17	22	28	34	40	60	75	85	100	110
流量 Kvs (m3/h)	4.2	7.4	12	19	30	47	77	120	188	285	410	725	1140	1660	2230	2950

All data, subject to technical changes, are only for information and not for official use.


WEIKE VALVE CO.,LTD

Add: Wuxing Industrial zone, 325105, Oubei Street, Wenzhou City, China
 Tel: +86-0577-67388022 Web: www.weke-valves.com Email: info@weke-valves.com



应用: 适用于有毒有害高危介质工况, 如干氯气, 氨气等。

设计特点:

1: 零泄漏密封:

主密封: 波纹管组件密封, 采用内藏式免冲刷设计, 通过液压成形, 多层结构, 可保证最大程度的寿命延长, 在压力 2.5MPa 下伸缩 (即开关) 可达 10000 次。

辅助密封: 非金属填料, 使用带缓蚀剂的编织填料, 更增加了可靠性、安全性以及耐高温性, 提供一个无需维护的条件。

2: 阀体采用锻钢加长结构, 更加耐用可靠。

3: 密封面 PTFE, 隔断性优异 (可选司太立密封)。

4: 波纹管选用特材哈氏合金 HC.276。

Application: Suitable for toxic and hazardous media conditions, such as dry chlorine, ammonia, etc.

Design features:

1: Zero leakage seal.

Main seal: Bellows assembly seal, with built-in flush-free design, by hydraulic forming, multi-layer structure, can ensure maximum life extension, expansion and contraction (open/close) up to 10,000 times at a pressure of 2.5 MPa.

Auxiliary seal: non-metallic packing, using braided packing with corrosion inhibitor, for added reliability, safety and resistance to high temperatures, providing a maintenance-free condition.

2: The body was forged steel & extended, more durable and reliable of the bellows and greatly increasing the service life.

3: Sealing with PTFE, excellent isolation (Optional Stellite Seal).

4: The bellows is made of special material Hastelloy HC.276.

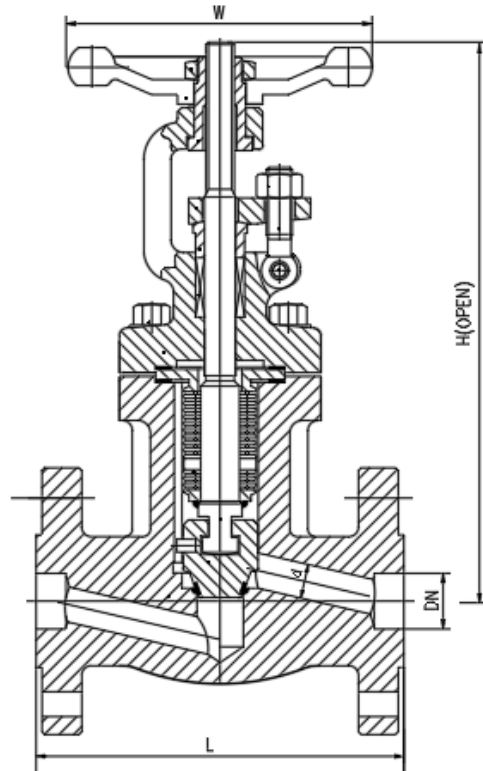
序/No.	零件名称 Parts Name	材质 Materials
1	阀体 Body	LF2
2	阀瓣 Disc	F316
3	阀杆 Stem	F316
4	波纹管 Bellows	H.C 276
5	垫片 Gasket	PTFE
6	阀盖 Bonnet	LF2
7	螺栓 Bolt	A320 L7
8	填料 Packing	PTFE
9	插销 Pin	SS304
10	压盖 Packing gland	A182 F6a
11	填料压盖 Packing	WCB
12	压盖法兰 Gland flange	A105
13	螺母 Nut	A194 4
14	阀杆螺母 Stem nut	Cu
15	手轮 Handwheel	A197
16	锁紧螺母 Lock nut	AISI 1035

All data, subject to technical changes, are only for information and not for official use.



WEIKE VALVE CO.,LTD

Add: Wuxing Industrial zone,325105, Oubei Street, Wenzhou City, China
 Tel: +86-0577-67388022 Web: www.weke-valves.com Email: info@weke-valves.com



主要连接尺寸 MAIN DIMENSIONS(mm)		Fig. LK111 / LK112 / LK113					
缩径	Reduce bore	DN15	DN20	DN25	DN32	DN40	DN50
总长 FTF L	PN16 RF	130	150	160	180	200	230
	PN25 RF	130	150	160	180	200	230
	PN40 RF	130	150	160	180	200	230
手轮	Handwheel (W)	100	100	125	160	160	180
中心高(开) H(OPEN)	PN16 RF	220	230	280	300	330	350
	PN25 RF	220	230	280	300	330	350
	PN40 RF	220	230	280	300	330	350
流道口大小 d	Port diameter(d)	9.0	13	17.5	23	30	35
重量 Weight (kg)	PN16 RF	4.3	5.4	7.8	12.5	13.5	21
	PN25 RF	4.3	5.4	7.8	12.5	13.5	21
	PN40 RF	4.3	5.4	7.8	12.5	13.5	21

All data, subject to technical changes, are only for information and not for official use.



TS2733K86-2026



WEIKE VALVE CO.,LTD

Add: Wuxing Industrial zone,325105, Oubei Street, Wenzhou City, China
 Tel: +86-0577-67388022 Web: www.weke-valves.com Email: info@weke-valves.com