

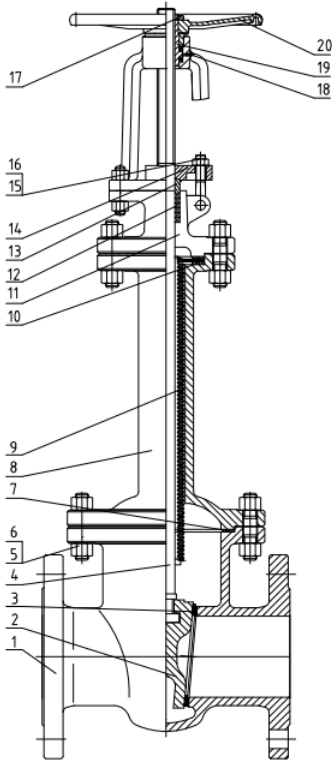


Bellows Gate Valve - GB Standard

波纹管闸阀 -GB 标准



维柯阀门有限公司
WEIKE VALVE CO.,LTD



性能优势 PERFORMANCE ADVANGATE

1. 波纹管是波纹管阀门的关键组件，采用自动滚焊，焊在阀瓣与阀杆上，确保阀杆部件100%零泄露。
Bellow is the key part of bellow sealed valves, which is welded to both the valve bonnet and valve stem, with automatic roll welding. The metal bellow can keep the stem part 100% no leakage.
2. 双密封设计（波纹管+填料）。波纹管形成第一道金属密封防止泄漏，如果波纹管失效，填料可以提供第二道密封。
Double seal design (bellows+packing). Bellow form a metal seal to prevent leakage, and packing can provide seal if the bellow failed.
3. 堆焊阀座，即使在恶劣工况下，也能确保可靠的密封。
Overlay welded seat can keep reliable sealing under severe conditions.
4. 人体工程学设计手轮，使用寿命更长，操作轻松便捷且安全可靠。
Ergonomic hand wheel. It provide longer service life and easier Operation.

技术规范 TECHNICAL SPECIFICATION

设计标准 Design standard: JB/T 11487
 结构长度 Face to face dimension: GB 12221
 连接法兰 Flanged ends: HG 20592
 试验与检验 Test & inspection: GB 13927

应用 APPLICATION

热油系统、蒸汽系统、冷热水系统等等
 Thermal oil system, steam system, hot and cold water system etc.

产品零部件材料 PRODUCT PARTS AND MATERIALS

序号/No.	零件名称 Parts Name	材质 Materials		
1	阀体 Body	WCB	CF8	CF8M
2	阀瓣 Disc	WCB+13Cr	CF8+STL.6	CF8M+STL.6
3	阀座密封面 Disc surface	Overlay 13Cr	SS304	SS316
4	阀杆 Stem	X20Cr13	SS304	SS316
5	螺栓 Bolt	A193 B7	A193 B8	A193 B8M
6	螺母 Nut	A194 2H	A194 8	A194 8M
7	垫片 Gasket	Graphite+SS	Graphite+SS	Graphite+SS
8	加长阀盖 Extended bonnet	WCB	CF8	CF8M
9	波纹管 Bellows	SS304/SS316/SS321/SS316Ti	SS304/SS316/SS321/SS316Ti	SS316/SS321/SS316Ti
10	垫片 Gasket	Graphite+SS	Graphite+SS	Graphite+SS
11	阀盖 Bonnet	WCB	CF8	CF8M
12	填料 Packing	Graphite	Graphite	Graphite
13	压盖 Gland	A105	CF8	CF8M
14	压盖法兰 Gland flange	WCB	CF8	CF8M
15	螺栓 Bolt	A193 B7	A193 B8	A193 B8M
16	螺母 Nut	A194 2H	A194 8	A194 8M
17	锁紧螺母 Lock nut	A105	A105	A105
18	油嘴 Grease Nipple	H2	H2	H2
19	阀杆螺母 Stem nut	Ductile iron	Copper alloy	Copper alloy
20	手轮 Hand wheel	Steel	Steel	Steel

备注 Notes: 以上零件为常规产品材质，如有特殊要求，可根据客户要求变动，如密封面为司太立。

Above parts materials are used for conventional product. If there are special requirements, which can be changed according to customer requirements. For example, the sealing can be Stellite.

All data, subject to technical changes, are only for information and not for official use.



WEIKE VALVE CO.,LTD

Add: Wuxing Industrial zone, 325105, Oubei Street, Wenzhou City, China
 Tel: +86-0577-67388022 Web: www.weke-valves.com Email: info@weke-valves.com

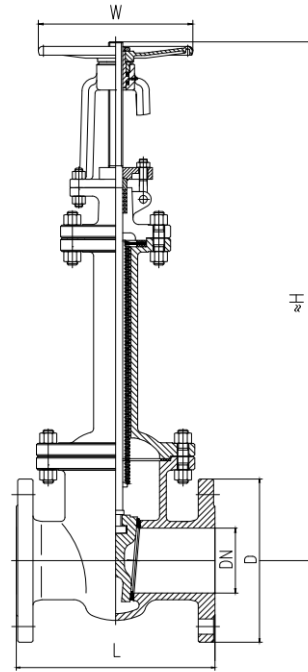

主要连接尺寸MAIN DIMENSIONS(mm)

Fig. VK121 PN16														
口径 Size DN	50	65	80	100	125	150	200	250	300	350	400	450	500	600
总长 L RF/BW	250	265	280	300	325	350	400	450	500	550	600	650	700	800
外圆 D	160	180	195	215	245	280	335	405	460	520	580	640	705	840
手轮 W	240	240	280	300	320	360	400	450	580	640	640	720	720	800
中心高 H≈	460	570	690	760	880	980	1380	1540	1700	1980	2210	2440	2680	3050
重量 Weight kg≈	19	25	36	46	62	80	125	200	280	410	510	620	780	1150
Fig. VK123 PN25														
口径 Size DN	50	65	80	100	125	150	200	250	300	350	400	450	500	600
总长 L RF/BW	250	265	280	300	325	350	400	450	500	550	600	650	700	800
外圆 D	160	180	195	230	270	300	360	425	485	550	610	660	730	840
手轮 W	240	240	280	300	320	360	400	450	580	640	640	720	720	800
中心高 H≈	460	570	690	760	880	980	1380	1540	1700	1980	2210	2440	2680	3050
重量 Weight kg≈	23	28	38	50	65	85	140	220	300	450	550	680	830	1260
Fig. VK124 PN40														
口径 Size DN	50	65	80	100	125	150	200	250	300	350	400	450	500	600
总长 L RF/BW	250	280	310	350	400	450	550	650	750	850	950	1050	1150	1350
外圆 D	160	180	195	230	270	300	375	445	510	570	655	685	755	890
手轮 W	280	280	320	360	400	400	450	560	640	640	720	720	720	800
中心高 H≈	460	570	690	760	880	980	1420	1590	1740	2020	2280	2500	2760	3200
重量 Weight kg≈	25	33	45	60	85	115	190	270	420	600	800	1000	1320	1750

All data, subject to technical changes, are only for information and not for official use.


WEIKE VALVE CO.,LTD

Add: Wuxing Industrial zone,325105, Oubei Street, Wenzhou City, China
 Tel: +86-0577-67388022 Web: www.weke-valves.com Email: info@weke-valves.com