

### Applicable Standards:

- STEEL PLUG VALVES API 599/API 6D
- STEEL PLUG VALVES ISO 14313
- FIRE SAFE, API 607
- ANTI STATICS, API 599
- STEEL VALVES, ASME B16.34
- FACE TO FACE ASME B16.10
- END FLANGES, ASME B16.5
- BUTTWELDING ENDS ASME B16.25
- INSPECTION AND TEST, API 598/ API 6D

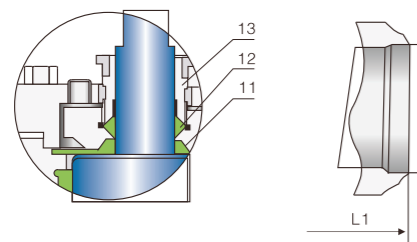
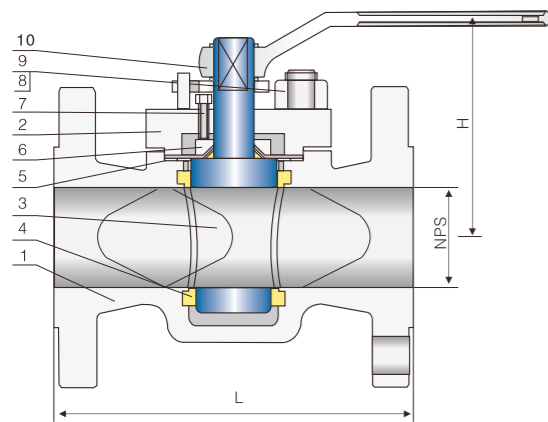
### Design descriptions:

- RUGGED, HEAVY-DUTY BODY
- BOLTED BONNET CAP
- PTFE SLEEVED, TAPERED PLUG
- LARGE PORT OPENINGS
- NON-LUBRICATED
- STEM INTEGRAL WITH PLUG
- IN-LINE ADJUSTMENT
- FIRE SAFE CONSTRUCTION
- ANTI STATICS DEVICE
- STOPPER DEVICE
- RENEWABLE SEAT RING
- FLANGED OR BUTTWELDING ENDS
- AVAILABLE WITH WG OPERATOR

### Materials of parts

| No | Part Name        | Carbon Steel               | ASTM Materials<br>18Cr-9Ni-2Mo | Carbon Steel               |
|----|------------------|----------------------------|--------------------------------|----------------------------|
| 1  | Body             | A216-WCB                   | A351-CF8M                      | A352-LCB                   |
| 2  | Bonnet           | A216-WCB                   | A351-CF8M                      | A352-LCB                   |
| 3  | Plug             | A182-F304 <sup>1)</sup>    | A182-F316                      | A182-F304 <sup>1)</sup>    |
| 4  | Sleeve           | Glass Filled PTFE          |                                |                            |
| 5  | Bonnet Gasket    | Graphite+304 <sup>2)</sup> | Graphite+316 <sup>2)</sup>     | Graphite+304 <sup>2)</sup> |
| 6  | Adjusting Gasket | A182-F6a                   | A182-F316                      | A182-F6a                   |
| 7  | Adjusting Bolt   | A193-B7                    | A193-B8                        | A320-L7                    |
| 8  | Bonnet Stud      | A193-B7                    | A193-B8                        | A320-L7                    |
| 9  | Bonnet Bolt      | A194-2H                    | A194-8                         | A194-4                     |
| 10 | Handle           | Carbon Steel               |                                |                            |
| 11 | Diaphragm        | A167-304+PTFE              | A167-316+PTFE                  | A167-304+PTFE              |
| 12 | Packing          | Graphite                   |                                |                            |
| 13 | Gland Flange     | A216-WCB                   | A217-WC6                       | A352-LCB                   |

Note: 1) A105+ENP optional  
2) Jacketed construction



### Plug Valve Introduction

一、Usage.

It is mainly used for storage and transportation of oil and gas in the chemical industry, metallurgy, paper making, food processing, shipbuilding and other industries, used to open or close, and with pneumatic and electrical devices can also achieve the long-distance operation, to ensure personal safety.

二、Features.

- 1、lockup device, manual operation, in order to prevent misoperation, valve can be equipped with padlock device.
- 2、Anti-static structure, when a fire break out, the metal seal forms to prevent large leakage of media
- 3、valve body and stem can finish emergency injection seal, through the grease injection valve, the stop-leak compound can achieve a short-time seal, therefor to buy time handling the scene.

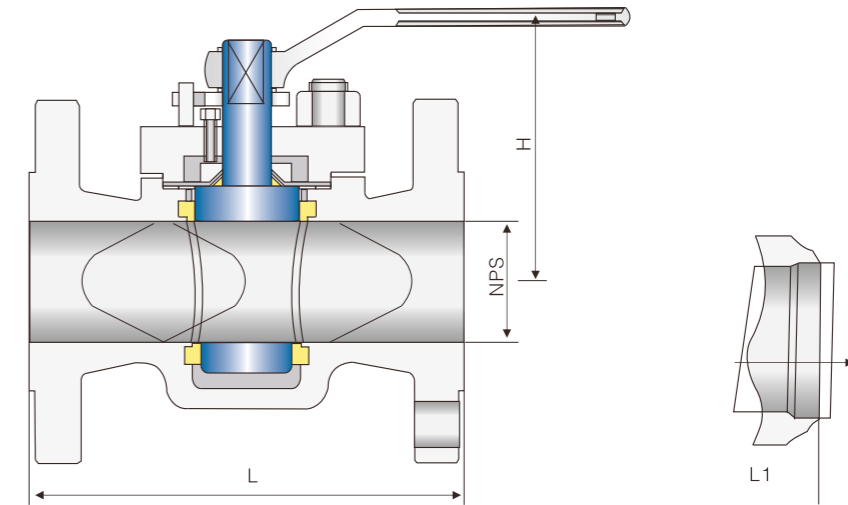


FIG.VK221/2 Dimensional datas of Sleeve soft plug valve Class 150/300LB

| NPS   | DN  | ANSI Class150Lb |         |       |     |        | ANSI Class300Lb |         |     |     |        |      |     |       |     |       |     |    |     |     |      |    |    |
|-------|-----|-----------------|---------|-------|-----|--------|-----------------|---------|-----|-----|--------|------|-----|-------|-----|-------|-----|----|-----|-----|------|----|----|
|       |     | L (RF)          | L1 (BW) | H     | W   | WT(kg) | L (RF)          | L1 (BW) | H   | W   | WT(kg) |      |     |       |     |       |     |    |     |     |      |    |    |
| 2     | 50  | 7.00            | 178     | 10.50 | 267 | 6.00   | 150             | 13      | 320 | 17  | 13     | 8.5  | 216 | 10.50 | 267 | 6.00  | 150 | 13 | 320 | 17  | 13   |    |    |
| 2 1/2 | 65  | 7.50            | 191     | 12.00 | 305 | 6.50   | 165             | 14      | 350 | 20  | 14     | 9.5  | 241 | 12.00 | 305 | 6.50  | 165 | 14 | 350 | 20  | 14   |    |    |
| 3     | 80  | 8.00            | 203     | 13.00 | 330 | 7.12   | 180             | 16      | 410 | 25  | 17.5   | 11.0 | 283 | 13.00 | 330 | 7.12  | 180 | 16 | 410 | 25  | 17.5 |    |    |
| 4     | 100 | 9.00            | 229     | 14.00 | 356 | 15.00  | 380             | 13      | 320 | 40  | 29     | 12.0 | 305 | 14.00 | 356 | 15.00 | 380 | 13 | 320 | 40  | 29   |    |    |
| 6     | 150 | 10.50           | 267     | 18.00 | 457 | 20.50  | 520             | 13      | 320 | 70  | 55     | 16.0 | 403 | 18.00 | 457 | 20.50 | 520 | 13 | 320 | 70  | 55   |    |    |
| 8     | 200 | 11.50           | 292     | 20.50 | 521 | 22.88  | 580             | 13      | 320 | 135 | 110    | 16.5 | 419 | 20.50 | 521 | 22.88 | 580 | 13 | 320 | 135 | 110  |    |    |
| 10    | 250 | 13.00           | 330     | 22.00 | 559 | 24.50  | 620             | 14      | 350 | 220 | 182    | 18.0 | 457 | 22.00 | 559 | 24.50 | 620 | 14 | 350 | 220 | 182  |    |    |
| 12    | 300 | 14.00           | 356     | 25.00 | 635 | 26.75  | 680             | 15      | 380 | 300 | 247    | 20.0 | 502 | 25.00 | 635 | 26.75 | 680 | 15 | 380 | 300 | 247  |    |    |
| in    | mm  | in              | mm      | in    | mm  | in     | mm              | in      | mm  | RF  | BW     | in   | mm  | in    | mm  | in    | mm  | in | mm  | in  | mm   | RF | BW |

FIG.VK223/4 Dimensional datas of Sleeve soft plug valve Class 600/900LB

| NPS   | DN  | ANSI Class600Lb |         |       |     |        | ANSI Class900Lb |         |     |        |        |       |     |       |     |       |     |    |     |     |     |        |    |
|-------|-----|-----------------|---------|-------|-----|--------|-----------------|---------|-----|--------|--------|-------|-----|-------|-----|-------|-----|----|-----|-----|-----|--------|----|
|       |     | L (RF)          | L1 (BW) | H     | W   | WT(kg) | L (RF)          | L1 (BW) | H   | W      | WT(kg) |       |     |       |     |       |     |    |     |     |     |        |    |
| 2     | 50  | 11.50           | 292     | 11.62 | 295 | 6.12   | 155             | 14      | 350 | 28     | 21     | 14.50 | 368 | 14.62 | 371 | 6.12  | 155 | 14 | 350 | 52  | 32  |        |    |
| 2 1/2 | 65  | 13.00           | 330     | 13.12 | 333 | 6.75   | 170             | 16      | 410 | 33     | 23.5   | 16.50 | 419 | 16.62 | 422 | 6.75  | 170 | 16 | 410 | 60  | 34  |        |    |
| 3     | 80  | 14.00           | 356     | 14.12 | 359 | 7.25   | 185             | 13      | 320 | 387    | 23     | 15.00 | 381 | 15.12 | 384 | 7.25  | 185 | 13 | 320 | 70  | 47  |        |    |
| 4     | 100 | 16.00           | 432     | 16.12 | 435 | 15.38  | 390             | 13      | 320 | 75     | 46     | 18.00 | 457 | 18.12 | 460 | 15.38 | 390 | 13 | 320 | 92  | 55  |        |    |
| 6     | 150 | 19.50           | 559     | 19.62 | 562 | 20.88  | 530             | 13      | 320 | 142    | 97     | 24.00 | 610 | 24.12 | 613 | 20.88 | 530 | 13 | 320 | 195 | 120 |        |    |
| 8     | 200 | 23.50           | 660     | 23.62 | 664 | 23.25  | 590             | 14      | 350 | 250    | 167    | 29.00 | 737 | 29.12 | 740 | 23.25 | 590 | 14 | 350 | 320 | 197 |        |    |
| 10    | 250 | 26.50           | 787     | 26.62 | 791 | 24.88  | 630             | 15      | 350 | 365    | 227    | 33.00 | 838 | 33.12 | 841 | 24.88 | 630 | 15 | 380 | 455 | 277 |        |    |
| 12    | 300 | 30.00           | 838     | 30.12 | 841 | 27.12  | 690             | 15      | 380 | 515    | 354    | 38.00 | 965 | 38.12 | 968 | 27.12 | 690 | 15 | 380 | 625 | 405 |        |    |
| in    | mm  | in              | mm      | in    | mm  | in     | mm              | in      | mm  | RF/RTJ | BW     | in    | mm  | in    | mm  | in    | mm  | in | mm  | in  | mm  | RF/RTJ | BW |