

Applicable Standards:

- STEEL PLUG VALVES API 599/API 6D
- STEEL PLUG VALVES ISO 14313
- FIRE SAFE, API 607
- ANTI STATICS, API 599
- STEEL VALVES, ASME B16.34
- FACE TO FACE ASME B16.10
- END FLANGES, ASME B16.5
- BUTTWELDING ENDS ASME B16.25
- INSPECTION AND TEST, API 598/ API 6D

Design descriptions:

- RUGGED, HEAVY-DUTY BODY
- BOLTED BONNET CAP
- PTFE SLEEVED, TAPERED PLUG
- LARGE PORT OPENINGS
- NON-LUBRICATED
- STEM INTEGRAL WITH PLUG
- IN-LINE ADJUSTMENT
- FIRE SAFE CONSTRUCTION
- ANTI STATICS DEVICE
- STOPPER DEVICE
- RENEWABLE SEAT RING
- FLANGED OR BUTTWELDING ENDS
- AVAILABLE WITH WG OPERATOR

Materials of parts

Body	WCB/LCB/CF8M/CF8/CF3M/CF3/WC6/WC9/CD3MN
Cock body	WCB+N/CA15/4140+ENP/CF8M/CF8/CF3M/CF3/CD3MN
Stem	F6a/4140+ENP/F304/F316/F304L/F316L/F51
Lower cover	A105/LF2/F304/F316/F304L/F316L/F51
O-ring	VITON/NBR
Stud	B7M/B8M/L7M/B16M
Nut	2HM/8M/7M/4M
Gasket	Flexible graphite+304/PTFE/304

Materials could be choosed according to customers' requirement & working condition.

Plug Valve Introduction

- 一、 Usage.
It is mainly used for storage and transportation of oil and gas in the chemical industry, metallurgy, paper making, food processing, shipbuilding and other industries, used to open or close, and with pneumatic and electrical devices can also achieve the long-distance operation, to ensure personal safety.
- 二、 Features.
 - 1、 lockup device, manual operation, in order to prevent misoperation, valve can be equipped with padlock device.
 - 2、 Anti-static structure, when a fire break out, the metal seal forms to prevent large leakage of media
 - 3、 valve body and stem can finish emergency injection seal, through the grease injection valve, the stop-leak compound can achieve a short-time seal, therefor to buy time handling the scene.

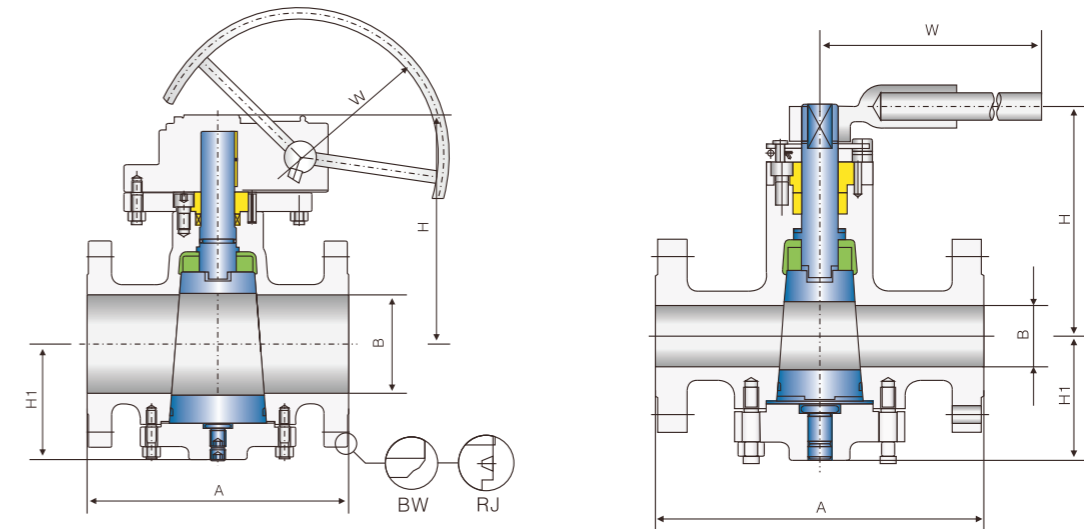


FIG.VK211 Dimensional datas of Pressuer balanced plug valve Class 150LB

NPS inch	DN	A mm	B mm	H mm	H1 mm	W mm	M(RF) kg	T N.m	NPS inch	DN	A mm	B mm	H mm	H1 mm	W mm	M(RF) kg	T N.m
Short Series Type ANSI Class 150Lb									Venturi Type ANSI Class 150Lb								
2	50	178	51	175	106	350	18	98	★10	250	533	252	420	255	600	375	2166
3	80	203	76	190	127	600	31	180	★12	300	610	303	492	316	600	420	3199
4	100	229	102	214	158	700	50	302	★14	350	686	334	498	320	600	480	4849
★6	150	267	152	270	185	900	93	628	★16	400	762	385	645	368	700	590	6032
★8	200	292	201	370	220	600	250	2032	★18	450	864	436	687	426	760	713	9142
★10	250	330	252	420	250	600	330	2166	★20	500	914	487	742	477	760	880	12022
★12	300	356	303	490	310	600	360	3199	★24	600	1067	589	798	522	760	1203	19424

FIG.VK212 Dimensional datas of Pressuer balanced plug valve Class 300LB

NPS inch	DN	A mm	B mm	H mm	H1 mm	W mm	M(RF) kg	T N.m	NPS inch	DN	A mm	B mm	H mm	H1 mm	W mm	M(RF) kg	T N.m
Short Series Type ANSI Class 300Lb									Venturi Type ANSI Class 300Lb								
2	50	216	51	184	108	500	25	172	6	150	403	152	307	200	900	144	1080
2 1/2	70	241	62	190	115	550	33	198	★8	200	419	303	390	230	600	280	3208
3	80	283	76	195	137	600	40	218	★10	250	457	252	433	255	600	370	3258
4	100	305	102	265	168	700	70	536	★12	300	502	303	500	320	700	408	5202
★6	150	403	152	307	200	900	144	1080	★14	350	762	334	630	340	700	510	8486
★8	200	419	201	390	230	600	280	3208	★16	400	838	385	740	376	762	630	10696
★10	250	457	252	433	255	600	370	3258	★18	450	914	436	788	436	762	750	15940
★12	300	502	303	500	320	700	408	5202	★20	500	991	487	833	497	762	890	21040
									★24	600	1143	589	889	543	762	1035	24082

FIG.VK213 Dimensional datas of Pressuer balanced plug valve Class 600LB

NPS inch	DN	A mm	B mm	H mm	H1 mm	W mm	M(RF) kg	T N.m	NPS inch	DN	A mm	B mm	H mm	H1 mm	W mm	M(RF) kg	T N.m
Reduced Bore Type ANSI Class 600Lb									Venturi Type ANSI Class 600Lb								
2	50	292	51	194	108	500	30	292	6	150	403	152	307	200	900	144	1080
2 1/2	65	330	62	200	115	550	40	322	★8	200	419	303	390	230	600	280	3208
3	80	356	76	205	137	780	48	380	★10	250	457	252	433	255	600	370	3258
4	100	432	102	270	168	1100	85	918	★12	300	502	303	500	320	700	408	5202
★6	150	559	152	340	200	600	194	1814	★14	350	762	334	630	340	700	510	8486
★8	200	660	201	405	230	600	305	5114	★16	400	838	385	740	376	762	630	10696
★10	250	787	252	460	255	700	625	6088	★18	450	914	436	788	436	762	750	15940
									★20	500	991	487	833	497	762	890	21040
									★24	600	1143	589	889	543	762	1035	24082