
性能优势 PERFORMANCE ADVANGATE

- 升降式止回阀为自动密封阀门，本体依靠介质流动而自动开关阀瓣，有效防止介质倒流动。
Lift check valve is an automatic seal valve, the valve open/close relies on the flow of fluid. Effectively prevent media from flowing backwards.
- 阀瓣带有不锈钢弹簧装置，阀门横竖均可安装。
The disc with S.S spring can keep the valve work in any direction.
- 产品结构合理，密封可靠，使用寿命长。
Reasonable product structure, reliable sealing and long service life.

技术规范 TECHNICAL SPECIFICATION

设计标准Design standard: DIN EN 13709:2003
 结构长度Face to face dimension: DIN EN 558-1:1995
 连接法兰Flanged ends: DIN EN 1092-1:2002
 对焊连接Welded ends: DIN EN 12627
 试验与检验Test & inspection: DIN EN 12266:2003

应用 APPLICATION

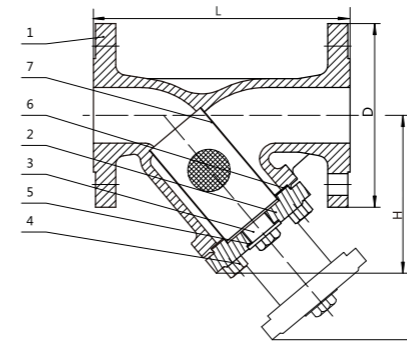
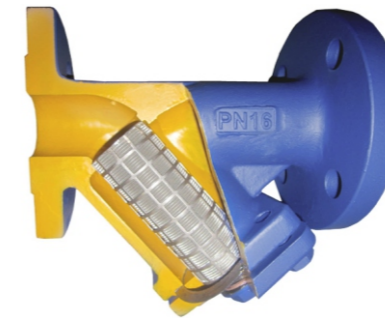
热油系统、蒸汽系统、冷热水系统等等
 Thermal oil system, steam system, hot and cold water system etc.

产品零部件材料 PRODUCT PARTS AND MATERIALS

序号/No.	零件名称 Parts Name	材质 Materials			
1	阀体 Body	GS-C25/1.0619	CF8/1.4301	CF8M/1.4408	
2	阀盖 Bonnet	GS-C25/1.0619	CF8/1.4301	CF8M/1.4408	
3	阀座 Seat	Overlay 13Cr	SS304	SS316	
4	阀瓣密封面 Disc surface	Overlay 13Cr	SS304	SS316	
5	弹簧 Spring	SS304	SS304	SS316	
6	螺栓 Bolt	A193 B7	A193 B8	A193 B8M	
7	垫片 Gasket	Graphite+SS	Graphite+SS	Graphite+SS	

主要连接尺寸MAIN DIMENSIONS(mm)

Fig.VK411/412/413 PN16/PN25/PN40																	
口径 Size DN	15	20	25	32	40	50	65	80	100	125	150	200	250	300	350	400	
总长 L RF/BW	130	150	160	180	200	230	290	310	350	400	480	600	730	850	980	1100	
中心高 H	69	70	75	78	85	90	110	125	150	185	285	340	400	445	490	595	
重量 Weight (kg)	PN16	2.8	3.5	4.2	5.5	7.5	9.5	13	17.5	29	40	60	116	210	300	430	670
	PN25	2.8	3.5	4.2	5.5	7.5	9.5	14	19	32	48	73	128	240	320	480	700
	PN40	2.8	3.5	4.2	5.5	7.5	9.5	14	20	33	48	73	135	250	340	500	720
流量 Kvs(m3/h)	3.9	6.9	11	17.6	28	43	71	112	174	267	380	670	1060	1514	2060	2690	


性能优势 PERFORMANCE ADVANGATE

- Y-过滤器是用来消除介质中的杂质，能有效保护阀门及设备的正常运转。
Y-Strainer is used to clean impurities in the medium and can effectively protect the normal operation of valves and equipment.
- 双层不锈钢滤网，杂质过滤更彻底，耐腐蚀性能更好。
Double stainless steel screen, make a better performance and corrosion-resistance.
- 当需要清洗时，只需将可拆卸的滤网取出，处理干净后重新装入即可，维护极为方便。
When cleaning is required, just remove the detachable filter, re-load it after cleaning, and it is very convenient to maintain.

技术规范 TECHNICAL SPECIFICATION

设计标准Design standard: DIN EN 13709:2003
 结构长度Face to face dimension: DIN EN 558-1:1995
 连接法兰Flanged ends: DIN EN 1092-1:2002
 对焊连接Welded ends: DIN EN 12627
 试验与检验Test & inspection: DIN EN 12266:2003

应用 APPLICATION

热油系统、蒸汽系统、冷热水系统等等
 Thermal oil system, steam system, hot and cold water system etc.

产品零部件材料 PRODUCT PARTS AND MATERIALS

序号/No.	零件名称 Parts Name	材质 Materials			
1	阀体 Body	GS-C25/1.0619	CF8/1.4301	CF8M/1.4408	
2	阀盖 Bonnet	GS-C25/1.0619	CF8/1.4301	CF8M/1.4408	
3	堵头 Plug	A105	SS304	SS316	
4	螺栓 Bolt	A193 B7	A193 B8	A193 B8M	
5	密封片 Sealing piece	SS304	SS304	SS316	
6	垫片 Gasket	Graphite+SS	Graphite+SS	Graphite+SS	
7	滤网 Screen	SS304/SS316	SS304/SS316	SS316	

主要连接尺寸MAIN DIMENSIONS(mm)

Fig.VK311/312/313 PN16/PN25/PN40																	
口径 Size DN	15	20	25	32	40	50	65	80	100	125	150	200	250	300	350	400	
总长 L RF/BW	130	150	160	180	200	230	290	310	350	400	480	600	730	850	980	1100	
中心高 H	72	88	105	110	130	140	170	190	240	290	340	425	515	615	725	835	
重量 Weight (kg)	PN16	2.5	3.4	4.6	5.5	7.5	9.5	14	17	26	40	62	109	190	250	400	530
	PN25	2.5	3.4	4.6	5.5	7.5	9.5	15	18	27	44	64	116	205	280	440	580
	PN40	2.5	3.4	4.6	5.5	7.5	9.5	15	18	28	45	65	119	210	290	450	600
流量 Kvs(m3/h)	6.3	11	17.5	28	44	69	118	178	270	420	620	1100	1700	2500	3400	4400	