



维柯阀门  
WEIKE



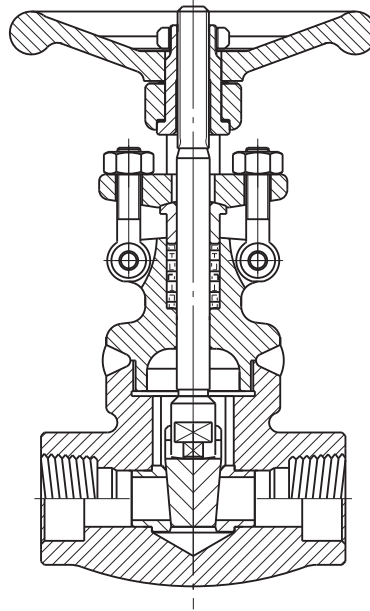
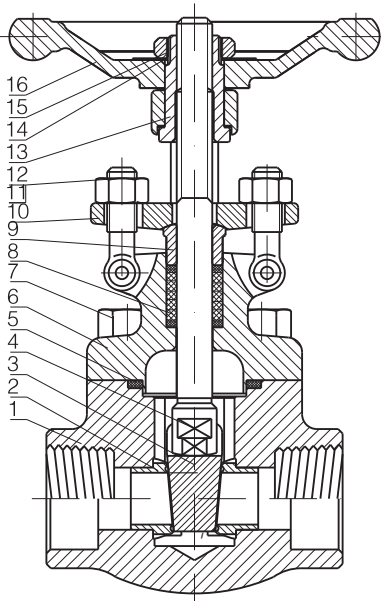
FORGED STEEL VALVE  
锻钢阀门系列

---



温州维柯阀门有限公司  
WENZHOU WEIKE VALVE CO., LTD.

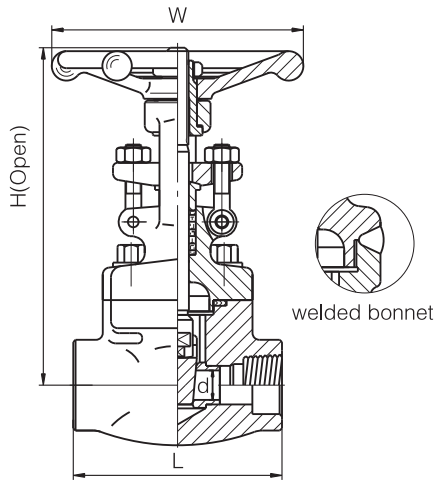
## Forged Steel Gate Valve



### Applicable Standards

1. Design and Manufacture  
API 602, BS5352, ASME B16.34
2. Connection end  
Socket Weld End(SW): ASME B16.11  
Threaded End(NPT): ASME B1.20.1  
Butt-Weld End(BW): ASME B16.25  
Flange End(RF/RTJ): ASME B16.5
3. Test & Inspection  
API 602, API 598
4. Design Description  
Bolted Bonnet(BB),  
Welded Bonnet(WB),  
Outside Screw and Yoke(OS&Y)
5. Main Materials:  
A105, LF2, F5, F11, F22,  
304(L), 316(L), F347, F321,  
F51, Alloy 20, Monel

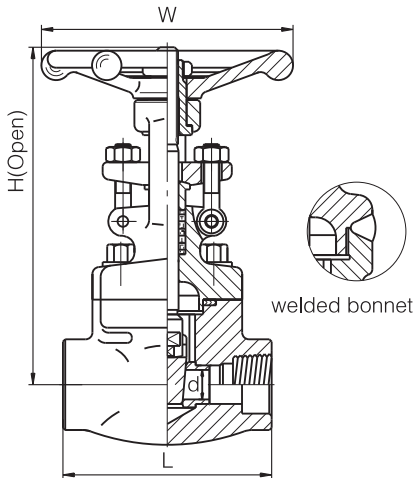
No.	PART	ASTM Material					
		A105	LF2	F11	F304(L)	F316(L)	F51
1	BODY	A105	LF2	F11	F304(L)	F316(L)	F51
2	SEAT	410	410	410+STL	304(L)	316(L)	F51
3	GATE	F6a	F6a	F6a+STL	F304(L)	F316(L)	F51
4	STEM	410	410	410	304(L)	316(L)	F51
5	GASKET	304 + Graphite			304+Graphite	316(L)+Graphite	316(L)+Graphite
6	BONNET	A105	LF2	F11	F304(L)	F316(L)	F51
7	BOLT	B7	L7	B16	B8(M)	B8(M)	B8M
8	PACKING	Flexible Graphite					
9	GLAND	A182 F6	LF2	F11	F304	F304	F304
10	GLAND FLANGE	A105	LF2	F11	F304	F304	F304
11	NUT	A194 2H			8		
12	EYEBOLT	A193 B7			B8		
13	STEM NUT	A276 410					
14	NAMEPLATE	AL					
15	LOCK NUT	AISI 1035					
16	HANDWHEEL	ASTM A197					



## CL800

Bolted Bonnet/Welded Bonnet, Full Port/Reduced Port, Outside Screw and Yoke (OS&Y), Threaded, Butt Weld, Socket Weld. Design: API 602

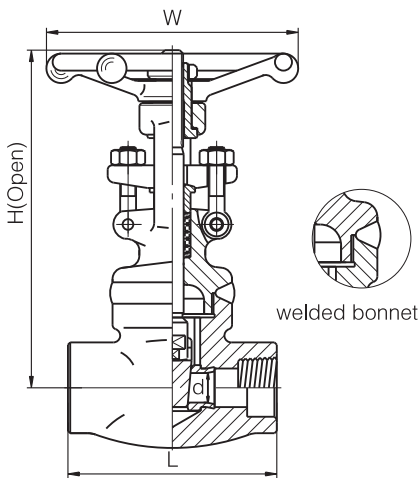
Size (NPS)	R.P	1/2	3/4	1	1.1/4	1.1/2	2	2.1/2
	F.P	3/8	1/2	3/4	1	1.1/4	1.1/2	2
Face To Face	L	79	92	111	120	120	140	178
Handwheel Diameter	W	100	100	125	160	160	180	200
Height	H	161	163	196	223	251	290	333
Flow Port Diameter	d	10.3	13.5	18	23	29	36	45
Weight	B.B	2.22	2.39	4.24	5.7	7.05	10.9	16.8
	W.B	1.9	2.1	3.2	6.9	6.9	10.4	15.8



## CL900~1500

Bolted Bonnet/Welded Bonnet, Full Port/Reduced Port, Outside Screw and Yoke (OS&Y), Threaded, Butt Weld, Socket Weld. Design: API 602

Size (NPS)	R.P	1/2	3/4	1	1.1/4	1.1/2	2	2.1/2
	F.P	3/8	1/2	3/4	1	1.1/4	1.1/2	2
Face To Face	L	92	111	120	120	140	178	-
Handwheel Diameter	W	100	125	160	160	180	200	-
Height	H	191	191	219	243	296	316	-
Flow Port Diameter	d	10.5	13.5	18	23	29	36	-
Weight	B.B	2.3	4.4	6.8	7.6	11.6	15	-
	W.B	2.1	3.5	6.9	6.9	10.4	13.8	-

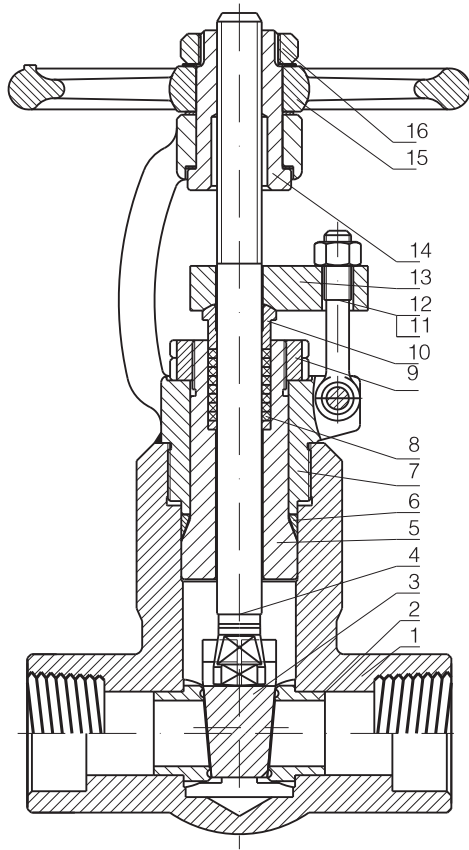


## CL2500

Welded Bonnet, Full Port/Reduced Port, Outside Screw and Yoke (OS&Y), Threaded, Butt Weld, Socket Weld. Design: ASME B16.34

Size (NPS)	R.P	3/8	1/2	3/4	1	1.1/4	1.1/2	2
Face To Face	L	111	120	120	120	140	-	-
Handwheel Diameter	W	125	125	125	125	250	-	-
Height	H	215	218	220	238	271	-	-
Flow Port Diameter	d	8	10.3	13.5	18	23	-	-
Weight	W.B	-	-	-	-	-	-	-

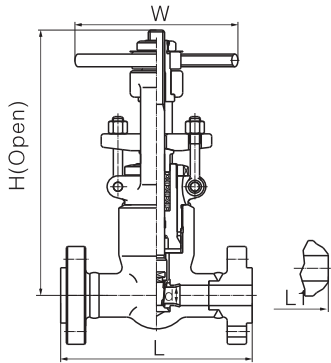
## Forged Steel Pressure Seal Gate Valve



### Applicable Standards

1. Design and manufacture  
API 602, BS5352, ASME B16.34
2. Connection end  
Socket Weld End (SW): ASME B16.11  
Threaded End (NPT): ASME B1.20.1  
Butt Weld End (BW): ASME B16.25  
Flange End (RF/RTJ): ASME B16.5
3. Test & Inspection  
API 602, API 598
4. Design Description  
Bolted Bonnet (BB),  
Welded Bonnet (WB),  
Outside Screw and Yoke (OS&Y)
5. Main Materials:  
A105, LF2, F5, F11, F22,  
304(L), 316(L), F347, F321,  
F51, Alloy 20, Monel

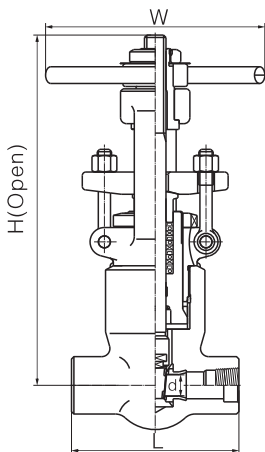
No.	PART	ASTM Material					
		A105	LF2	F11	F304(L)	F316(L)	F51
1	BODY	A105	LF2	F11	F304(L)	F316(L)	F51
2	SEAT	410	410	410+STL	304(L)+STL	316(L)+STL	F51
3	GATE	F6a	F6a	F6a+STL	F304(L)+STL	F316(L)+STL	F51
4	STEM	410	410	410	304(L)	316(L)	F51
5	BONNET	A105	LF2	F11	F304(L)	F316(L)	F51
6	PRESSURE SEAL RING	304 + Graphite			304+Graphite	316(L)+Graphite	316(L)+Graphite
7	YOKE	A105	LF2	B16	F304(L)	F316(L)	F51
8	PACKING	Graphite/SS304+Graphite				Graphite	
9	NUT	CARBON STEEL				F304	
10	GLAND	A182 F6	LF2	F11	F304		
11	NUT	A194 2H				A194 8	
12	EYEBOLT	A193 B7				A193 B8	
13	GLAND FLANGE	A105	LF2	F11	F304		
14	STEM NUT	A276 410					
15	LOCK NUT	AISI 1035					
16	HANDWHEEL	ASTM A197					



## CL2500

Pressure Seal Bonnet , Full Port, Outside Screw and Yoke(OS & Y)  
 Flange-welded or Butt-Welded ends; Design to ASME B16.34

Size (NPS)		1/4	3/8	1/2	3/4	1	1 1/4	1 1/2	2
Face to face	L(RF),L1(BW)	-	-	264	273	308	-	384	451
	L(RTJ)	-	-	264	273	308	-	387	454
Handwheel diameter	W	-	-	200	200	200	-	280	300
Height	H	-	-	325	325	327	-	478	540
Height (angle dimension)	d	-	-	13.5	13.5	19	-	30	36.5
Weight(Kg)		-	-	4.6	6.8	7.6	-	15	21.9

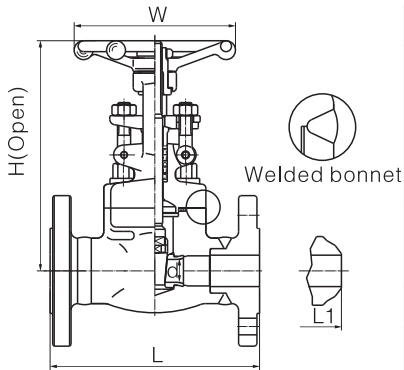


## CL1500-CL2500

Pressure Seal Bonnet , Full Port, Outside Screw and Yoke(OS & Y)  
 Socket Welded ends, Design to ASME B16.34

Size (NPS)	F.P		3/8	1/2	3/4	1	1 1/4	1 1/2	2
Face to face length	L	CL900~1500	140	140	140	140	178	178	216
		CL2500	186	186	186	186	232	232	279
Handwheel diameter	W	CL900~1500	200	200	200	200	280	280	300
		CL2500	200	200	200	200	280	280	300
Height	H	CL900~1500	318	318	318	322	467	468	540
		CL2500	325	325	325	327	467	468	540
Flow port diameter	d	CL900~1500	14	14	14	19	25	30	36.5
		CL2500	14	14	14	19	25	30	36.5
Weight(Kg)		CL900~1500	11.5	11.5	10.8	10.5	19.6	21.0	55.4
		CL2500	12.3	12.3	11.6	10.8	26.0	28.4	60.0

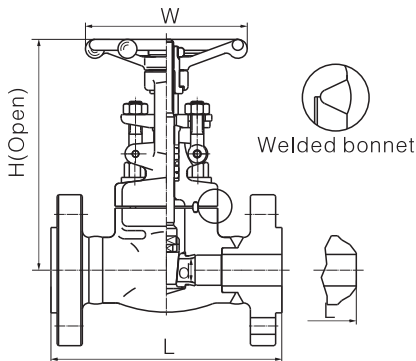
## CL150-300-600 Bolted Bonnet, Reduced Port, Outside Screw and Yoke(OS & Y) Flange-welded or Socket-welded ends; Design to API602:BS5352



Size (NPS)			1/4	3/8	1/2	3/4	1	1 <sup>1</sup> / <sub>4</sub>	1 <sup>1</sup> / <sub>2</sub>	2	2 <sup>1</sup> / <sub>2</sub>	
Face to face	CL150	L (RF) L1 (BW)	-	-	108	117	127	140	165	178	190	
	CL300		-	-	140	152	165	178	190	216	241	
	CL600		-	-	165	190	216	229	241	292	330	
Handwheel diameter			-	-	100	100	125	160	160	180	200	
Height	CL150	W	-	-	176	184	217	226	250	290	357	
	CL300,CL600		-	-	161	163	196	226	250	290	357	
Height (angle dimension)			H	-	-	10	13.5	18	24	29	36.5	45
Weight (Kg)	CL150	RF	d	-	-	3.4	3.98	6.12	7.2	10.4	15.5	24.5
		BW		-	-	2.8	3.3	5.4	7.1	8.2	12.5	20
	CL300	RF		-	-	3.77	4.89	7.23	9.6	12.64	18	26.2
		BW		-	-	3.5	4.4	6.8	8.1	9.2	15.4	22
	CL600	RF		-	-	4.2	5.8	8.8	12.1	15.6	19.5	32
		BW		-	-	4.5	5.1	8.2	10.5	12.4	20.1	28

If you want to order integral flange, please contact sale department

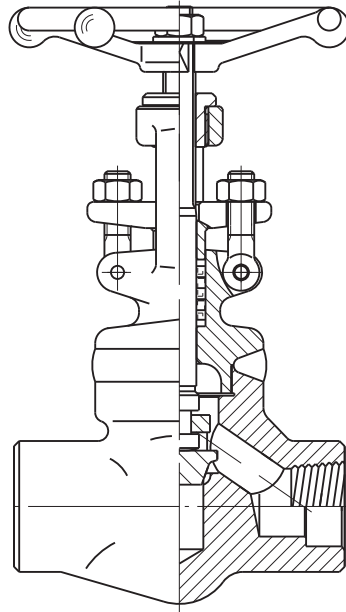
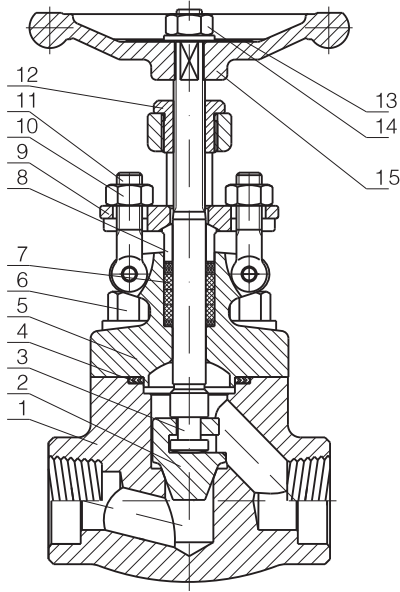
## CL900-CL1500 Welded Bonnet, Full Port, Outside Screw and Yoke(OS & Y) Flange-welded or Socket-Welded ends; Design to API 602,BS 5352



Size (NPS)			1/4	3/8	1/2	3/4	1	1 <sup>1</sup> / <sub>4</sub>	1 <sup>1</sup> / <sub>2</sub>	2	
Face to face	L(RF),L1(BW)		-	-	216	229	254	279	305	368	
	L(RTJ)		-	-	216	229	254	279	305	371	
Handwheel diameter			W	-	-	125	125	160	180	200	220
Height			H	-	-	191	192	219	257	296	316
Height (angle dimension)			d	-	-	13.5	18	24	29	36.5	45
Weight(Kg)			-	-	7.2	11.5	15.6	16.2	22.6	28.2	

If you want to order integral flange, please contact sale department

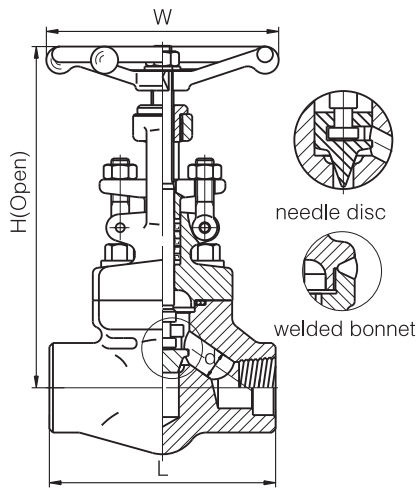
## Forged Steel Globe Valve



### Applicable Standards

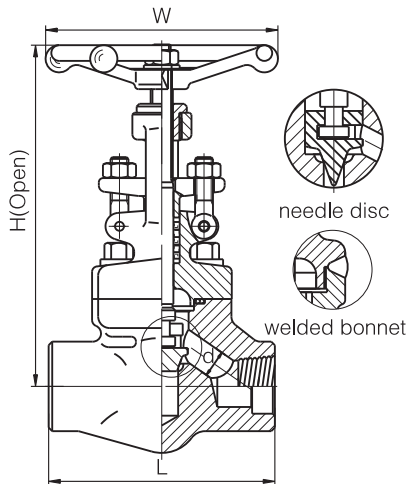
- Design and manufacture  
API 602, BS5352, ASME B16.34
- Connection end  
Socket Weld End(SW):ASME B16.11  
Threaded End(NPT):ASME B1.20.1  
Butt-Weld End(BW):ASME B16.25  
Flange End(RF/RTJ):ASME B16.5
- Test & Inspection  
API 602, API 598
- Design Description  
Bolted Bonnet(BB),  
Welded Bonnet(WB),  
Outside Screw and Yoke(OS&Y)
- Main Materials:  
A105, LF2, F5, F11, F22,  
304(L), 316(L), F347, F321,  
F51, Alloy 20, Monel

No.	PART	ASTM Material					
		A105	LF2	F11	F304(L)	F316(L)	F51
1	BODY	A105+SS304	LF2	F11	F304(L)	F316(L)	F51
2	DISC	F6a	F6a	F6a+STL	F304(L)	F316(L)	F51
3	STEM	410	410	410	304(L)	316(L)	F51
4	GASKET	A105	LF2	F11	304+Graphite	316(L)+Graphite	316(L)+Graphite
5	BONNET	304 + Graphite		B16	F304(L)	F316(L)	F51
6	BOLT	B7	L7	F11	B8(M)	B8(M)	B8M
7	PACKING	Flexible Graphite					
8	GLAND	A182 F6	LF2	F11	F304	F304	F304
9	GLAND FLANGE	A105	LF2		F304	F304	F304
10	NUT	A194 2H			8		
11	EYEBOLT	A193 B7			B8		
12	STEM NUT	A276 410					
13	LOCK NUT	AISI 1035					
14	NAMEPLATE	AL					
15	HANDWHEEL	ASTM A197					



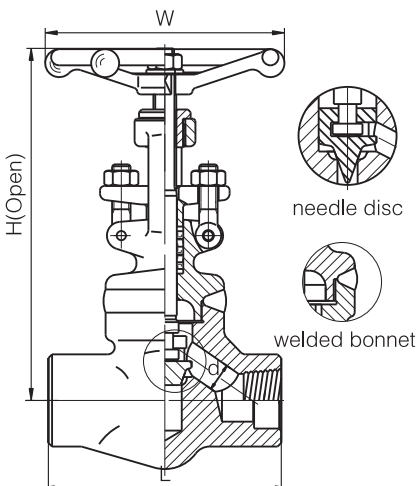
**CL800** Bolted Bonnet/Welded Bonnet, Full Port/Reduced Port, Outside Screw and Yoke (OS&Y), Threaded, Butt Weld, Socket Weld. Design: API 602

Size (NPS)	R.P	1/2	3/4	1	1.1/4	1.1/2	2	2.1/2	
	F.P	3/8	1/2	3/4	1	1.1/4	1.1/2	2	
Face To Face	L	79	92	111	120	152	172	220	
Handwheel Diameter	W	100	100	125	160	160	180	200	
Height	H	164	164	203	224	260	300	355	
Flow Port Diameter	d	10.5	13.5	17	22	28	34	43	
Weight	B.B		2.28	2.37	4.3	5.75	7.8	12.5	17.5
	W.B		1.7	1.9	3.3	5.2	6.8	10.6	13.8



**CL900~1500** Bolted Bonnet/Welded Bonnet, Full Port/Reduced Port, Outside Screw and Yoke (OS&Y), Threaded, Butt Weld, Socket Weld. Design: API 602

Size (NPS)	R.P	1/2	3/4	1	1.1/4	1.1/2	2	2.1/2	
	F.P	3/8	1/2	3/4	1	1.1/4	1.1/2	2	
Face To Face	L	92	111	120	152	172	220	-	
Handwheel Diameter	W	100	125	160	160	180	240	-	
Height	H	171	207	240	258	330	370	-	
Flow Port Diameter	d	7	10.5	13.5	22	28	34	-	
Weight	B.B		2.3	3.7	6.8	7.6	11.6	21.9	-
	W.B		2.0	3.4	6.0	5.6	10.3	18.0	-

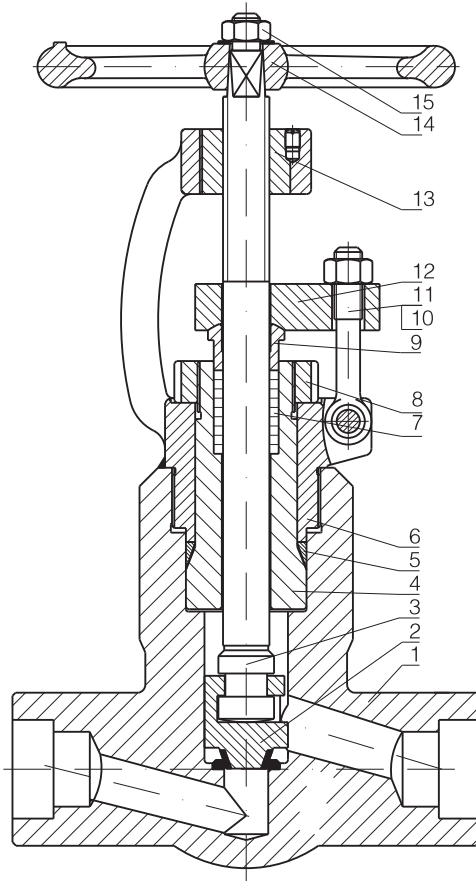


**CL2500** Welded Bonnet, Full Port/Reduced Port, Outside Screw and Yoke (OS&Y), Threaded, Butt Weld, Socket Weld. Design: ASME B16.34

Size (NPS)	R.P	3/8	1/2	3/4	1	1.1/4	1.1/2	2
Face To Face	L	111	120	152	172	220	-	-
Handwheel Diameter	W	125	160	160	180	240	-	-
Height	H	207	240	258	330	370	-	-
Flow Port Diameter	d	8	10.5	13.5	22	28	-	-
Weight	W.B		3.4	6.0	5.6	10.3	18.0	-



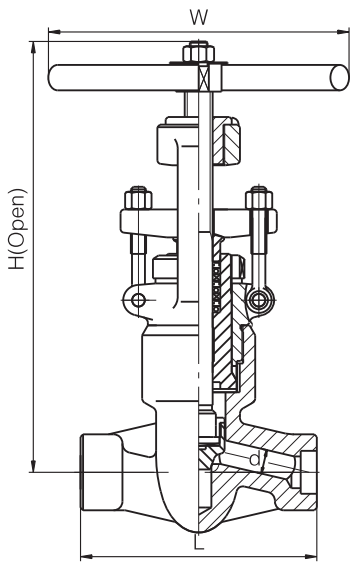
## Forged Steel Pressure Seal Globe Valve



### Applicable Standards

1. Design and Manufacture  
API 602, BS5352, ASME B16.34
2. Connection end  
Socket Weld End(SW):ASME B16.11  
Threaded End(NPT):ASME B1.20.1  
Butt-Weld End(BW):ASME B16.25  
Flange End(RF/RTJ):ASME B16.5
3. Test & Inspection  
API 602, API 598
4. Design Description  
Bolted Bonnet(BB),  
Welded Bonnet(WB),  
Outside Screw and Yoke(OS&Y)
5. Main Materials:  
A105, LF2, F5, F11, F22,  
304(L), 316(L), F347, F321,  
F51, Alloy 20, Monel

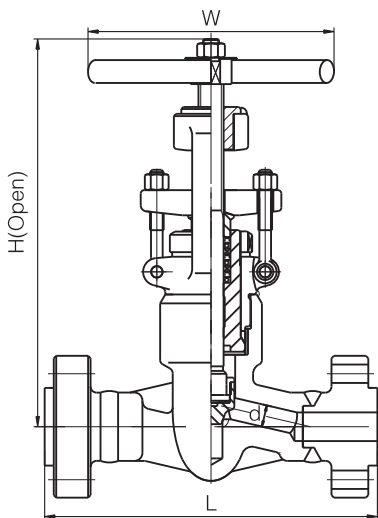
No.	PART	ASTM Material					
		A105	LF2	F11	F304(L)	F316(L)	F51
1	BODY	A105/STL	LF2/STL	F11+STL	F304(L)	F316(L)	F51
2	DISC	F6a	F6a	F6a+STL	F304(L)+STL	F316(L)+STL	F51
3	STEM	410	410	410	304(L)	316(L)	F51
4	BONNET	A105	LF2	F11	F304(L)	F316(L)	F51
5	PRESSURE SEAL RING	304 + Graphite			304+Graphite	316(L)+Graphite	316(L)+Graphite
6	YOKE	A105	L7	F11	F304(L)	F316(L)	F51
7	PACKING	Graphite/SS304+Graphite			Graphite		
8	NUT	CARBON STEEL			F304		
9	GLAND	A182 F6	LF2	F11	F304		
10	NUT	A194 2H		4	A194 8		
11	EYEBOLT	A193 B7		B16	A193 B8		
12	GLAND FLANGE	A105		F11	F304		
13	STEM NUT	A276 410					
14	LOCK NUT	AISI 1035					
15	HANDWHEEL	ASTM A197					



## CL900~1500 CL2500

Pressure Seal Bonnet, Reduced Port, Outside Screw and Yoke (OS&Y),  
Threaded, Butt Weld, Socket Weld. Design: ASME B16.34

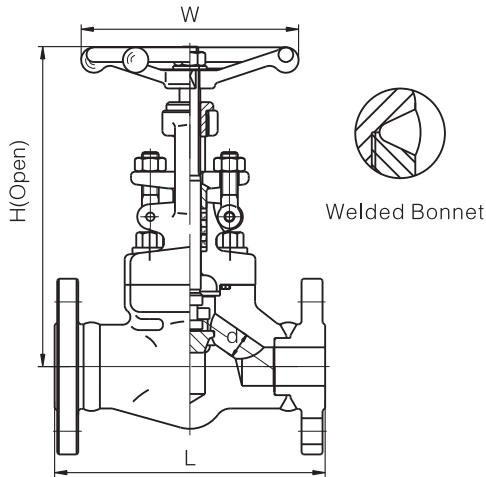
Size (NPS)	R.P		1/2	3/4	1	1.1/4	1.1/2	2
Face to Face	L	CL900~CL1500	140	140	140	178	178	216
		CL2500	186	186	186	232	232	279
Handwheel Diameter	W	CL900~CL1500	200	200	200	280	280	300
		CL2500						
Height	H	CL900~CL1500	320	320	320	440	440	490
		CL2500	375	378	380	490	490	540
Flow Port Diameter	d		10.5	13.5	18	22	28	34
Weight	CL900~CL1500		11.5	10.8	10.5	19.6	21.0	55.4
	CL2500		12.3	11.6	10.8	26.0	28.4	50



## CL2500

Pressure Seal Bonnet, Reduced Port, Outside Screw and Yoke (OS&Y),  
RF/RTJ Flange End. Design: ASME B16.34

Size (NPS)	R.P	3/8	1/2	3/4	1	1.1/4	1.1/2	2
Face to Face	L (RJ)	-	264	273	308	349	384	451
Handwheel Diameter	W	-	200	200	280	280	280	300
Height	H	-	320	320	320	440	440	490
Flow Port Diameter	d	-	10.5	13.5	18	22	28	34
Weight		-	21.5	24.7	30.4	48.1	58.1	90

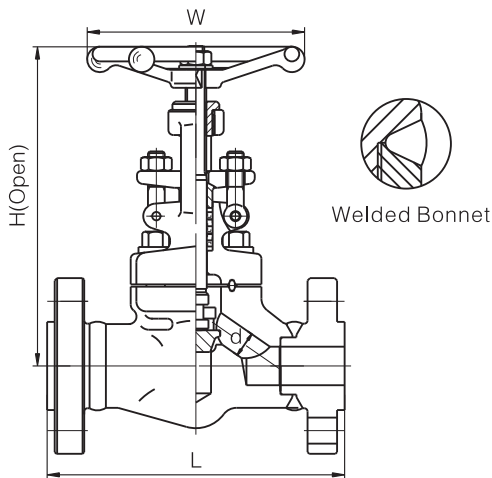


## CL150-300-600

Bolted Bonnet/Welded Bonnet, Reduced Port, Outside Screw and Yoke (OS&Y), RF/RTJ Flange End. Design: API 602

Size (NPS)		R.P	3/8	1/2	3/4	1	1.1/4	1.1/2	2
Face to Face (mm)	CL150	L (RF)	-	108	117	127	140	165	203
	CL300		-	152	178	203	216	229	267
	CL600		-	165	190	216	229	241	292
Handwheel Diameter		W	-	100	100	125	160	160	180
Height	CL150	H	-	180	184	217	224	260	300
	CL300/600		-	164	164	203	224	260	300
Flow Port Diameter		d	-	9	13	17.5	23	30	35
Weight	CL150	RF	-	3.45	4.00	6.19	9.6	10.5	17
		BW	-	2.3	3.6	7.8	8.2	12.0	15.0
	CL300	RF	-	3.8	5.1	7.2	12	13.5	19.7
		BW	-	2.8	4.0	8.5	9.2	12.6	16.8
	CL600	RF	-	5.6	7.8	12.5	17	23.5	38.8
		BW	-	3.4	4.7	9.2	10.5	13.3	18.9

If you want to order the integral flange, please contact sale department



## CL900~1500

Bolted Bonnet/Welded Bonnet, Reduced Port, Outside Screw and Yoke (OS&Y), RF/RTJ Flange End. Design: API 602

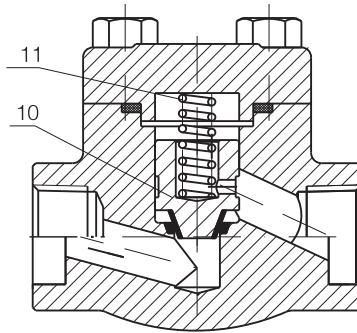
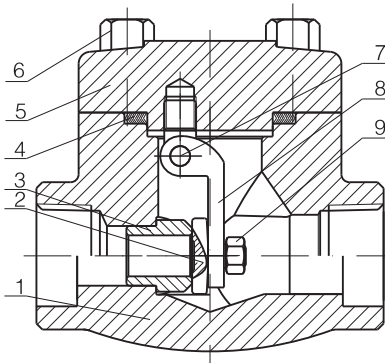
Size (NPS)		R.P	3/8	1/2	3/4	1	1.1/4	1.1/2	2
Face to Face		L (RF)	-	216	229	254	279	305	368
Handwheel Diameter		W	-	125	125	160	160	180	200
Height		H	-	207	207	230	160	300	355
Flow Port Diameter		d	-	12	15	20	28	32	40
Weight			-	11	13.2	17.4	19	24.5	31

If you want to order the integral flange, please contact sale department

## Forged Steel Check Valve



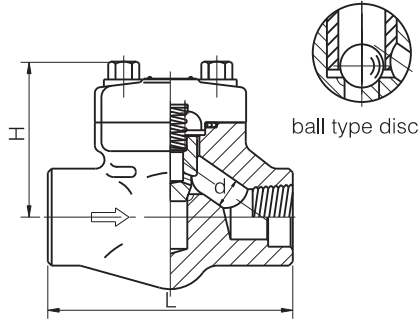
welded bonnet



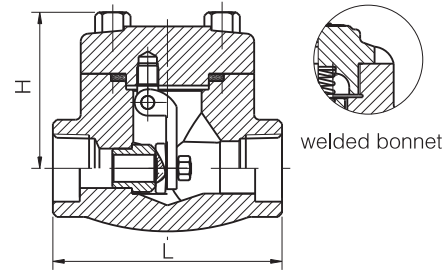
### Applicable Standards

1. Design and Manufacture  
API 602, BS5352, ASME B16.34
2. Connection end  
Socket Weld End(SW):ASME B16.11  
Threaded End(NPT):ASME B1.20.1  
Butt-Weld End(BW):ASME B16.25  
Flange End(RF/RTJ):ASME B16.5
3. Test & Inspection  
API 602, API 598
4. Design Description  
Bolted Bonnet(BB),  
Welded Bonnet(WB),
5. Main Materials:  
A105, LF2, F5, F11, F22,  
304(L), 316(L), F347, F321,  
F51, Alloy 20, Monel

No.	PART	ASTM Material					
		A105	LF2	F11	F304(L)	F316(L)	F51
1	BODY	A105	LF2	F11	F304(L)	F316(L)	F51
2	DISC	F6a	F6a	F6a+STL	F304(L)	F316(L)	F51
3	SEAT	410	410	410+STL	304(L)	316(L)	F51
4	GASKET	304 + Graphite			304+Graphite	316(L)+Graphite	316(L)+Graphite
5	BONNET	A105	LF2	F11	F304(L)	F316(L)	F51
6	BOLT	B7	L7	B16	B8(M)	B8(M)	B8M
7	PIN	410			304(L)	316(L)	F51
8	HINGE	304			304(L)	316(L)	F51
9	NUT	A194 2H			8	8M	8M
10	SPRING	Ss316					



ball type disc

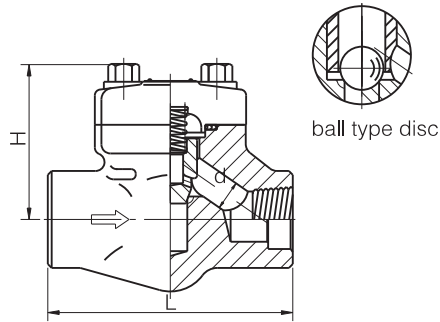


welded bonnet

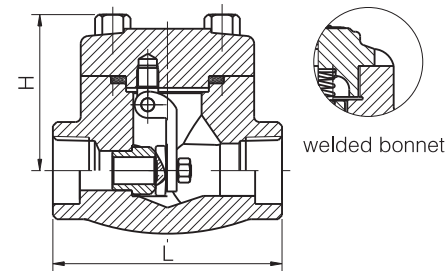
## CL800

Bolted Bonnet/Welded Bonnet, Full Port /Reduced Port, Outside Screw and Yoke (OS&Y), Threaded, Butt Weld, Socket Weld. Design: API 602

Size (NPS)	R.P		1/2	3/4	1	1.1/4	1.1/2	2	
	F.P		3/8	1/2	3/4	1	1.1/4	1.1/2	2
Face To Face	L	Lift type	79	92	111	120	152	172	220
		Swing type	79	92	111	120	120	140	178
Height	H	Lift type	61	61	78	84	103	118	132
		Swing type	61	61	78	84	101	120	133
Flow Port Diameter	d	Lift type	10.5	13.5	17	22	28	34	43
		Swing type	10.3	13.5	18	23	29	36	45
Weight		Lift type	1.5	1.7	3.3	4.2	6.3	10.5	12.5
		Swing type	1.5	1.7	3.3	4.2	5.0	8.5	10.9



ball type disc



welded bonnet

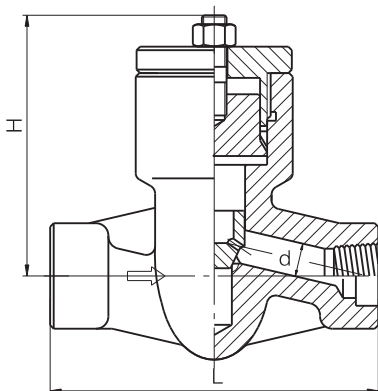
## CL900~1500

Pressure Seal Bonnet, Full Port /Reduced Port, Outside Screw and Yoke (OS&Y), Threaded, Butt Weld, Socket Weld. Design: ASME B16.34

Size (NPS)	R.P		1/2	3/4	1	1.1/4	1.1/2	2
	F.P		3/8	1/2	3/4	1	1.1/4	1.1/2
Face To Face	L	Lift type	92	111	120	152	172	220
		Swing type	92	111	120	120	140	178
Height	H	Lift type	78	78	84	103	118	132
		Swing type	78	78	84	101	120	133
Flow Port Diameter	d	Lift type	10.5	13.5	17	22	28	34
		Swing type	10.3	13.5	18	23	29	36
Weight		Lift type	3.4	3.3	4.2	6.3	10.5	12.5
		Swing type	3.4	3.3	4.2	5.0	8.5	10.9

## CL900~1500 CL2500

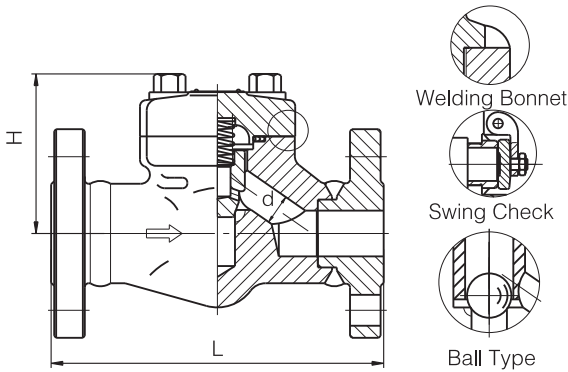
Pressure Seal Bonnet, Reduce Port. Outside Screw and Yoke (OS&Y), Threaded, Butt-Weld, Socket Weld, Design: ASME B16.34



Size (NPS)	R.P		1/2	3/4	1	1.1/4	1.1/2	2
Face to Face	L	CL900~CL1500	140	140	140	178	178	216
		CL2500	186	186	186	232	232	279
Height	H	CL900~CL1500	117	117	117	152	152	195
		CL2500						
Flow Port Diameter	d		10.5	13.5	18	22	28	34
Weight	CL900~CL1500		7.5	8.5	10	15	18.1	20.3
	CL2500		10	11.5	15	23	26.4	39

## CL150-300-600

Bolt Bonnet/Weld Bonnet. Reduce Port. Outside Screw  
 RF/RTJ Flange End, Design: API 602

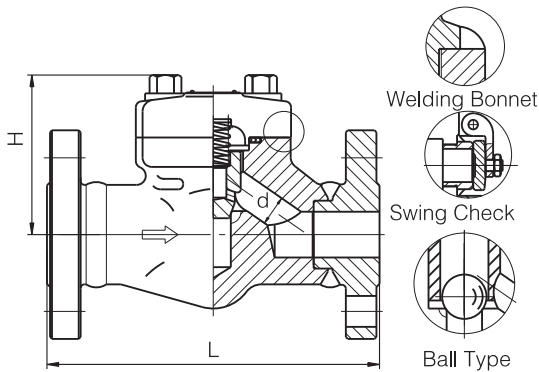


Size (NPS)		R.P	1/2	3/4	1	1.1/4	1.1/2	2
Face To Face	CL150	L (RF)	108	118	127	140	165	203
	CL300		153	178	203	216	229	267
	CL600		165	191	216	229	241	292
Height	CL150	H	77	81	93	95	103	118
	CL300/600		61	78	84	101	120	133
Flow Port Diameter (d)		Lift type	10.5	13.5	17	22	28	34
		Swing type	10.3	13.5	18	23	29	36
Weight	CL150	Lift type	3.6	4.6	8.5	9.2	12.5	14.8
		Swing type						
	CL300	Lift type	3.7	4.8	8.8	9.6	13.7	17.8
		Swing type						
	CL600	Lift type	4.0	5.8	9.5	10.4	15.6	24.5
		Swing type						

If you want to order the one piece body, please contact sale department

## CL900~1500

RF/RTJ Flange End, Design: API 602



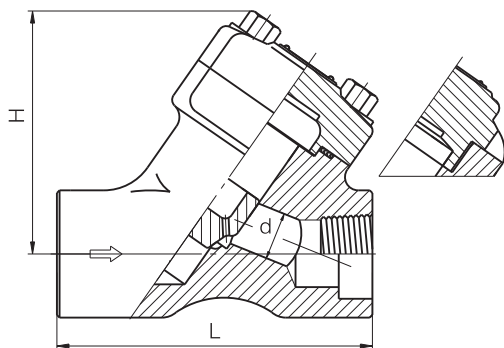
Size (NPS)		R.P	1/2	3/4	1	1.1/4	1.1/2	2
Face To Face	L	(RF)	216	229	254	279	305	368
		(RTJ)	216	229	254	279	305	371
Height	H		81	93	95	101	118	130
Flow Port Diameter	d	Lift type	10.5	13.5	17	22	28	34
		Swing type	10.3	13.5	18	23	29	36
Weight(CL1500)			5.2	6.8	10.5	14.5	18	24

NOTE: If you want to order the one piece body, please contact sale department.

CL900 and CL1500 have the same face to face dimension.

## CL800

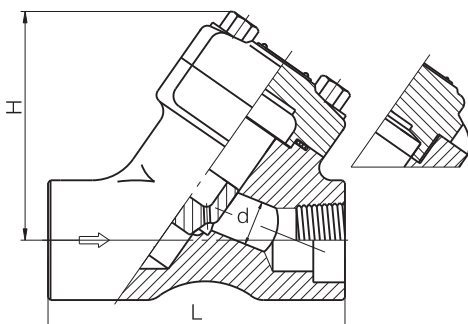
Bolted bonnet/Welded bonnet. full port/reduce port. outside screw  
 Threaded, butt-weld, socket weld, Design: API 602



Size (NPS)	R.P	1/2	3/4	1	1.1/4	1.1/2	2	2.1/2
	F.P	3/8	1/2	3/4	1	1.1/4	1.1/2	2
Face To Face	L	98	98	111	140	140	155	170
Height	H	70	70	100	110	120	120	150
Flow Port Diameter	d	10	13	17.5	23	30	35	46
Weight		2.2	2.1	4.2	9	8.9	10	18.6

## CL900~1500

Bolted Bonnet/Welded Bonnet. Full Port. Outside Screw and Yoke(OS&Y)  
 Threaded, Butt-Weld, Socket Weld, Design: API 602



Size (NPS)	F.P	1/2	3/4	1	1.1/4	1.1/2	2
Face To Face	L	111	111	140	140	155	170
Height	H	70	100	110	120	120	150
Flow Port Diameter	d	12	15	20	28	32	40
Weight		4.2	9	8.9	10	18.6	20