



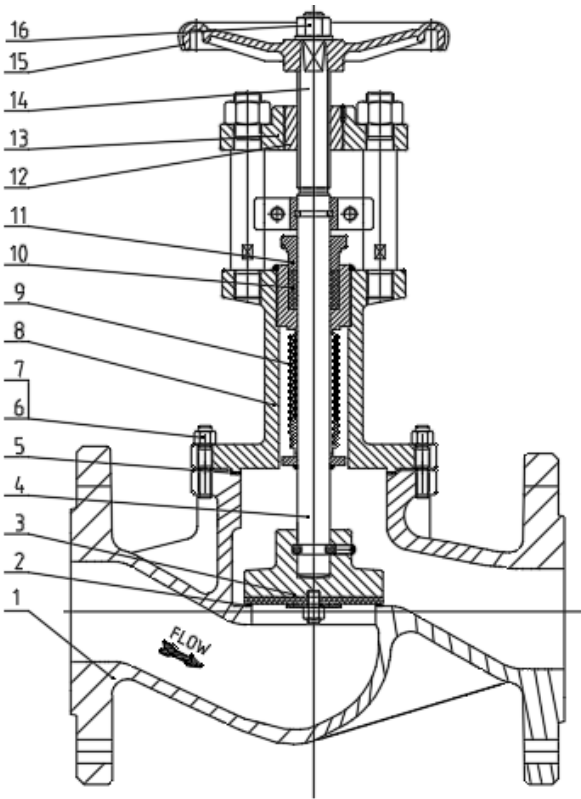
维柯阀门
WEIKE

Bellows Globe Valve For Chlorine

氯气专用波纹管截止阀



维柯阀门有限公司
WEIKE VALVE CO.,LTD



应用: 适用于有毒有害高危介质工况, 如干氯气, 氨气等。

设计特点:

1: 零泄漏密封:

主密封: 波纹管组件密封, 采用内藏式免冲刷设计, 通过液压成形, 多层结构, 可保证最大程度的寿命延长, 在压力 2.5MPa 下伸缩 (即开关) 可达 10000 次。

辅助密封: 非金属填料, 使用带缓蚀剂的编织填料, 更增加了可靠性、安全性以及耐高温性, 提供一个无需维护的条件。

2: 内限位装置, 增加阀杆的上限位, 保护阀门的使用安全, 有效的保护波纹管的弹性变量, 大大提高使用寿命。

3: 密封面 PTFE, 隔断性优异 (可选司太立密封)。

4: 波纹管选用特材哈氏合金 HC.276。

Application: Suitable for toxic and hazardous media conditions, such as dry chlorine, ammonia, etc.

Design features:

1: Zero leakage seal.

Main seal: Bellows assembly seal, with built-in flush-free design, by hydraulic forming, multi-layer structure, can ensure maximum life extension, expansion and contraction (open/close) up to 10,000 times at a pressure of 2.5 MPa.

Auxiliary seal: non-metallic packing, using braided packing with corrosion inhibitor, for added reliability, safety and resistance to high temperatures, providing a maintenance-free condition.

2: Internal limiting device, Increase the upper limit of the valve stem to protect the safety of the valve in use, effectively protecting the elastic variables

of the bellows and greatly increasing the service life.

3: Sealing with PTFE, excellent isolation (Optional Stellite Seal).

4: The bellows is made of special material Hastelloy HC.276.

| 序/No. | 零件名称 Parts Name | 材质 Materials |
|-------|--------------------|----------------------|
| 1 | 阀体 Body | LCB/16Mn |
| 2 | 阀座 Seat | Overlay 13Cr / STL.6 |
| 3 | 阀瓣 Disc | F316 |
| 4 | 下阀杆 Down Stem | F316 |
| 5 | 垫片 Gasket | PTFE |
| 6 | 螺栓 Bolt | A320 L7 |
| 7 | 螺母 Nut | A194 4 |
| 8 | 阀盖 Bonnet | LCB/16Mn |
| 9 | 波纹管 Bellows | H.C 276 |
| 10 | 填料 Packing | PTFE |
| 11 | 填料压盖 Packing gland | WCB |
| 12 | 阀杆螺母 Stem nut | Cu |
| 13 | 法兰盘 Flange | A105 |
| 14 | 上阀杆 Up stem | 2CR13 |
| 15 | 手轮 Handwheel | WCB |
| 16 | 锁紧螺母 Lock nut | A4-70 |

备注 Notes: 以上零件为常规产品材质, 如有特殊要求, 可根据客户要求变动, 如密封面为司太立。

Above parts materials are used for conventional product. If there are special requirements, which can be changed according to customer requirements. For example, the sealing can be Stellite

All data, subject to technical changes, are only for information and not for official use.



0343



ISO9001

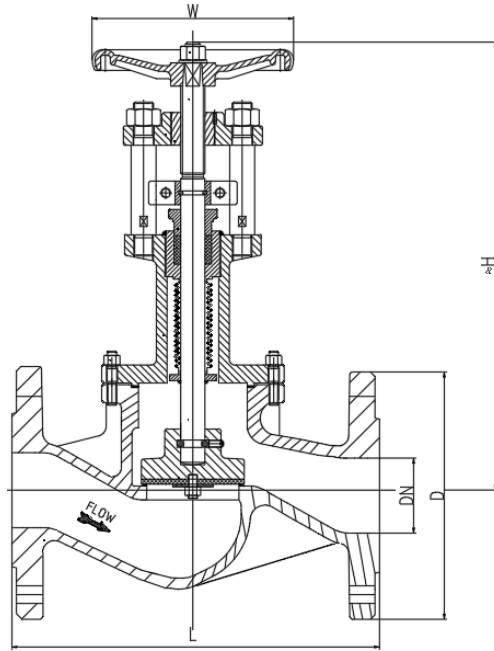


TS2733K86-2026



WEIKE VALVE CO.,LTD

Add: Wuxing Industrial zone, 325105, Oubei Street, Wenzhou City, China
 Tel: +86-0577-67388022 Web: www.weke-valves.com Email: info@weke-valves.com



| 主要连接尺寸 Main Dimensions(mm) | | Fig. LK811 PN16 | | | | | | | | | | | | | | | |
|----------------------------|-----|-----------------|-----|-----|-----|-----|-----|-----|-----|-----|-----|-----|------|------|------|------|--|
| 口径 Size DN | 15 | 20 | 25 | 32 | 40 | 50 | 65 | 80 | 100 | 125 | 150 | 200 | 250 | 300 | 350 | 400 | |
| 总长 L RF | 130 | 150 | 160 | 180 | 200 | 230 | 290 | 310 | 350 | 400 | 480 | 600 | 730 | 850 | 980 | 1100 | |
| 外圆 D | 95 | 105 | 115 | 140 | 150 | 165 | 185 | 200 | 220 | 250 | 285 | 340 | 405 | 480 | 520 | 580 | |
| 中心高 H | 300 | 320 | 320 | 330 | 350 | 370 | 450 | 480 | 560 | 620 | 710 | 920 | 1030 | 1200 | 1350 | 1500 | |
| 手轮 W | 140 | 140 | 160 | 160 | 180 | 200 | 220 | 250 | 300 | 350 | 400 | 450 | 550 | 600 | 700 | 700 | |
| 行程 Stroke | 8 | 8 | 10 | 10 | 12 | 15 | 17 | 22 | 28 | 34 | 40 | 60 | 75 | 85 | 100 | 110 | |
| 流量 Kvs (m3/h) | 4.2 | 7.4 | 12 | 19 | 30 | 47 | 77 | 120 | 188 | 285 | 410 | 725 | 1140 | 1660 | 2230 | 2950 | |
| | | Fig. LK812 PN25 | | | | | | | | | | | | | | | |
| 口径 Size DN | 15 | 20 | 25 | 32 | 40 | 50 | 65 | 80 | 100 | 125 | 150 | 200 | 250 | 300 | 350 | 400 | |
| 总长 L RF | 130 | 150 | 160 | 180 | 200 | 230 | 290 | 310 | 350 | 400 | 480 | 600 | 730 | 850 | 980 | 1100 | |
| 外圆 D | 95 | 105 | 115 | 140 | 150 | 165 | 185 | 200 | 235 | 270 | 300 | 360 | 425 | 485 | 555 | 620 | |
| 中心高 H | 300 | 320 | 320 | 330 | 350 | 370 | 450 | 480 | 560 | 620 | 710 | 920 | 1030 | 1200 | 1350 | 1500 | |
| 手轮 W | 140 | 140 | 160 | 160 | 180 | 200 | 220 | 250 | 300 | 350 | 400 | 450 | 550 | 600 | 700 | 700 | |
| 行程 Stroke | 8 | 8 | 10 | 10 | 12 | 15 | 17 | 22 | 28 | 34 | 40 | 60 | 75 | 85 | 100 | 110 | |
| 流量 Kvs (m3/h) | 4.2 | 7.4 | 12 | 19 | 30 | 47 | 77 | 120 | 188 | 285 | 410 | 725 | 1140 | 1660 | 2230 | 2950 | |
| | | Fig. LK813 PN40 | | | | | | | | | | | | | | | |
| 口径 Size DN | 15 | 20 | 25 | 32 | 40 | 50 | 65 | 80 | 100 | 125 | 150 | 200 | 250 | 300 | 350 | 400 | |
| 总长 L RF | 130 | 150 | 160 | 180 | 200 | 230 | 290 | 310 | 350 | 400 | 480 | 600 | 730 | 850 | 980 | 1100 | |
| 外圆 D | 95 | 105 | 115 | 140 | 150 | 165 | 185 | 200 | 235 | 270 | 300 | 375 | 450 | 515 | 580 | 660 | |
| 中心高 H | 300 | 320 | 320 | 330 | 350 | 370 | 450 | 480 | 560 | 620 | 710 | 920 | 1030 | 1200 | 1350 | 1500 | |
| 手轮 W | 140 | 140 | 160 | 160 | 180 | 200 | 220 | 250 | 300 | 350 | 400 | 450 | 550 | 600 | 700 | 700 | |
| 行程 Stroke | 8 | 8 | 10 | 10 | 12 | 15 | 17 | 22 | 28 | 34 | 40 | 60 | 75 | 85 | 100 | 110 | |
| 流量 Kvs (m3/h) | 4.2 | 7.4 | 12 | 19 | 30 | 47 | 77 | 120 | 188 | 285 | 410 | 725 | 1140 | 1660 | 2230 | 2950 | |

All data, subject to technical changes, are only for information and not for official use.

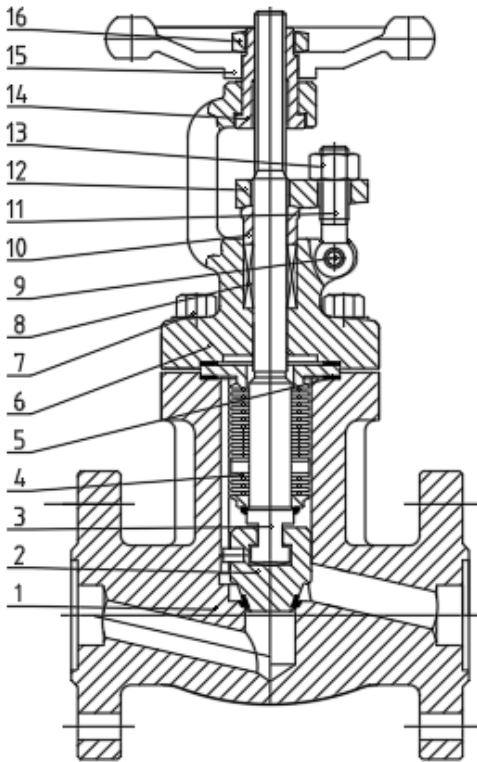


TS2733K86-2026



WEIKE VALVE CO.,LTD

Add: Wuxing Industrial zone, 325105, Oubei Street, Wenzhou City, China
 Tel: +86-0577-67388022 Web: www.weke-valves.com Email: info@weke-valves.com



应用: 适用于有毒有害高危介质工况, 如干氯气, 氨气等。

设计特点:

1: 零泄漏密封:

主密封: 波纹管组件密封, 采用内藏式免冲刷设计, 通过液压成形, 多层结构, 可保证最大程度的寿命延长, 在压力 2.5MPa 下伸缩 (即开关) 可达 10000 次。

辅助密封: 非金属填料, 使用带缓蚀剂的编织填料, 更增加了可靠性、安全性以及耐高温性, 提供一个无需维护的条件。

2: 阀体采用锻钢加长结构, 更加耐用可靠。

3: 密封面 PTFE, 隔断性优异 (可选司太立密封)。

4: 波纹管选用特材哈氏合金 HC.276。

Application: Suitable for toxic and hazardous media conditions, such as dry chlorine, ammonia, etc.

Design features:

1: Zero leakage seal.

Main seal: Bellows assembly seal, with built-in flush-free design, by hydraulic forming, multi-layer structure, can ensure maximum life extension, expansion and contraction (open/close) up to 10,000 times at a pressure of 2.5 MPa.

Auxiliary seal: non-metallic packing, using braided packing with corrosion inhibitor, for added reliability, safety and resistance to high temperatures, providing a maintenance-free condition.

2: The body was forged steel & extended, more durable and reliable of the bellows and greatly increasing the service life.

3: Sealing with PTFE, excellent isolation (Optional Stellite Seal).

4: The bellows is made of special material Hastelloy HC.276.

| 序/No. | 零件名称 Parts Name | 材质 Materials |
|-------|-------------------|--------------|
| 1 | 阀体 Body | LF2 |
| 2 | 阀瓣 Disc | F316 |
| 3 | 阀杆 Stem | F316 |
| 4 | 波纹管 Bellows | H.C 276 |
| 5 | 垫片 Gasket | PTFE |
| 6 | 阀盖 Bonnet | LF2 |
| 7 | 螺栓 Bolt | A320 L7 |
| 8 | 填料 Packing | PTFE |
| 9 | 插销 Pin | SS304 |
| 10 | 压盖 Packing gland | A182 F6a |
| 11 | 填料压盖 Packing | WCB |
| 12 | 压盖法兰 Gland flange | A105 |
| 13 | 螺母 Nut | A194 4 |
| 14 | 阀杆螺母 Stem nut | Cu |
| 15 | 手轮 Handwheel | A197 |
| 16 | 锁紧螺母 Lock nut | AISI 1035 |

All data, subject to technical changes, are only for information and not for official use.

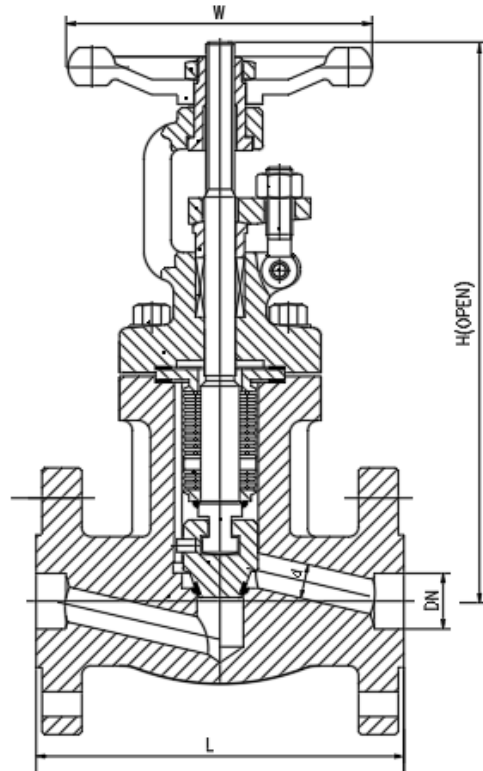


TS2733K86-2026



WEIKE VALVE CO.,LTD

Add: Wuxing Industrial zone, 325105, Oubei Street, Wenzhou City, China
 Tel: +86-0577-67388022 Web: www.weke-valves.com Email: info@weke-valves.com



| 主要连接尺寸 MAIN DIMENSIONS(mm) | | Fig. LK111 / LK112 / LK113 | | | | | |
|----------------------------|------------------|----------------------------|------|------|------|------|------|
| 缩径 | Reduce bore | DN15 | DN20 | DN25 | DN32 | DN40 | DN50 |
| 总长 FTF L | PN16 RF | 130 | 150 | 160 | 180 | 200 | 230 |
| | PN25 RF | 130 | 150 | 160 | 180 | 200 | 230 |
| | PN40 RF | 130 | 150 | 160 | 180 | 200 | 230 |
| 手轮 | Handwheel (W) | 100 | 100 | 125 | 160 | 160 | 180 |
| 中心高(开) H(OPEN) | PN16 RF | 220 | 230 | 280 | 300 | 330 | 350 |
| | PN25 RF | 220 | 230 | 280 | 300 | 330 | 350 |
| | PN40 RF | 220 | 230 | 280 | 300 | 330 | 350 |
| 流道口大小 d | Port diameter(d) | 9.0 | 13 | 17.5 | 23 | 30 | 35 |
| 重量 Weight (kg) | PN16 RF | 4.3 | 5.4 | 7.8 | 12.5 | 13.5 | 21 |
| | PN25 RF | 4.3 | 5.4 | 7.8 | 12.5 | 13.5 | 21 |
| | PN40 RF | 4.3 | 5.4 | 7.8 | 12.5 | 13.5 | 21 |

All data, subject to technical changes, are only for information and not for official use.



TS2733K86-2026



WEIKE VALVE CO.,LTD

Add: Wuxing Industrial zone,325105, Oubei Street, Wenzhou City, China
 Tel: +86-0577-67388022 Web: www.weke-valves.com Email: info@weke-valves.com