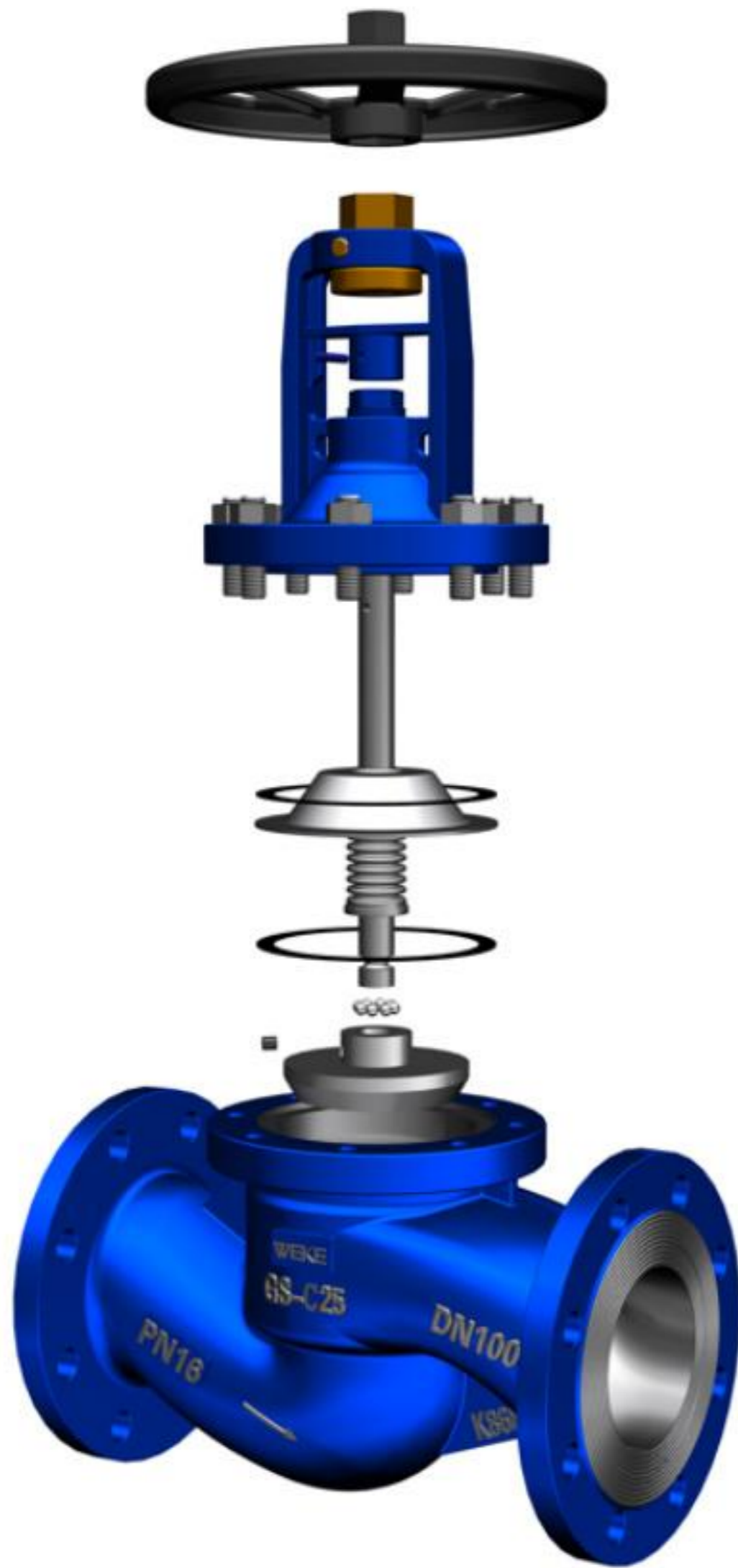




维柯阀门
WEIKE

Bellow Globe Valve
波纹管截止阀

维柯阀门有限公司
WEIKE VALVE CO.,LTD



应用:

适用于高温蒸汽及导热油工况

设计特点:

1: 多层密封设计, 确保零泄漏:

第一道密封: 波纹管组件密封, 采用内藏式设计, 免维修, 降低运行成本, 保证使用寿命

第二道密封: 非金属填料使用带缓蚀剂的编织填料, 更增加了可靠性、安全性以及耐高温性, 提供一个无需维护的条件。

2: 堆焊阀座, 即使在恶劣工况下, 也能确保可靠的密封。

3: 防转片, 防止波纹管的横向扭转, 确保波纹管使用寿命最大性。

4: 填料压套, 用于压紧填料, 使密封性能更完好, 增加阀门的使用寿命, 免维护。

Application:

For high temperature steam and thermal oil service

Design features:

1: Multi-layer seal design to ensure zero leakage.

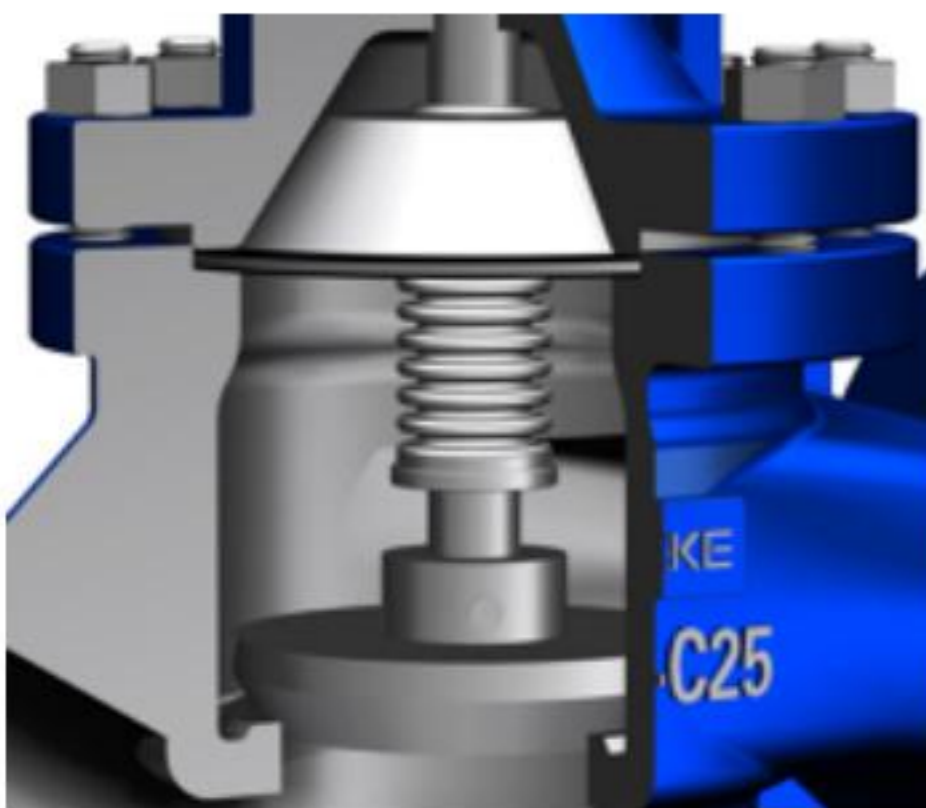
The first seal: bellows assembly seal with built-in design, maintenance-free and Reduces operating costs and ensures long service life

Second seal: non-metallic packing using braided packing with corrosion inhibitor reliability, safety and high temperature resistance, providing a maintenance-free condition.

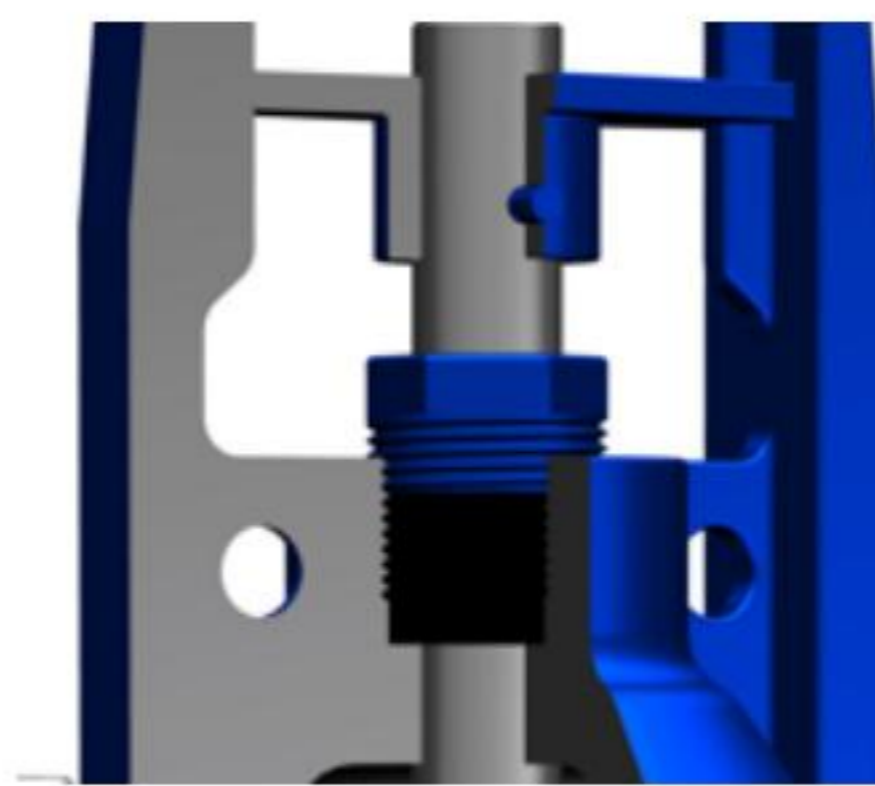
2: Welded seats to ensure reliable sealing even under severe conditions.

3: Anti-rotation piece to prevent lateral twisting of the bellows and to ensure maximum bellows life.

4: Packing gland flange, used to press the packing to make the sealing performance more intact and increase the life, maintenance-free.



双层波纹管密封
Double bellows sealing



填料压盖密封
Gland packing sealing



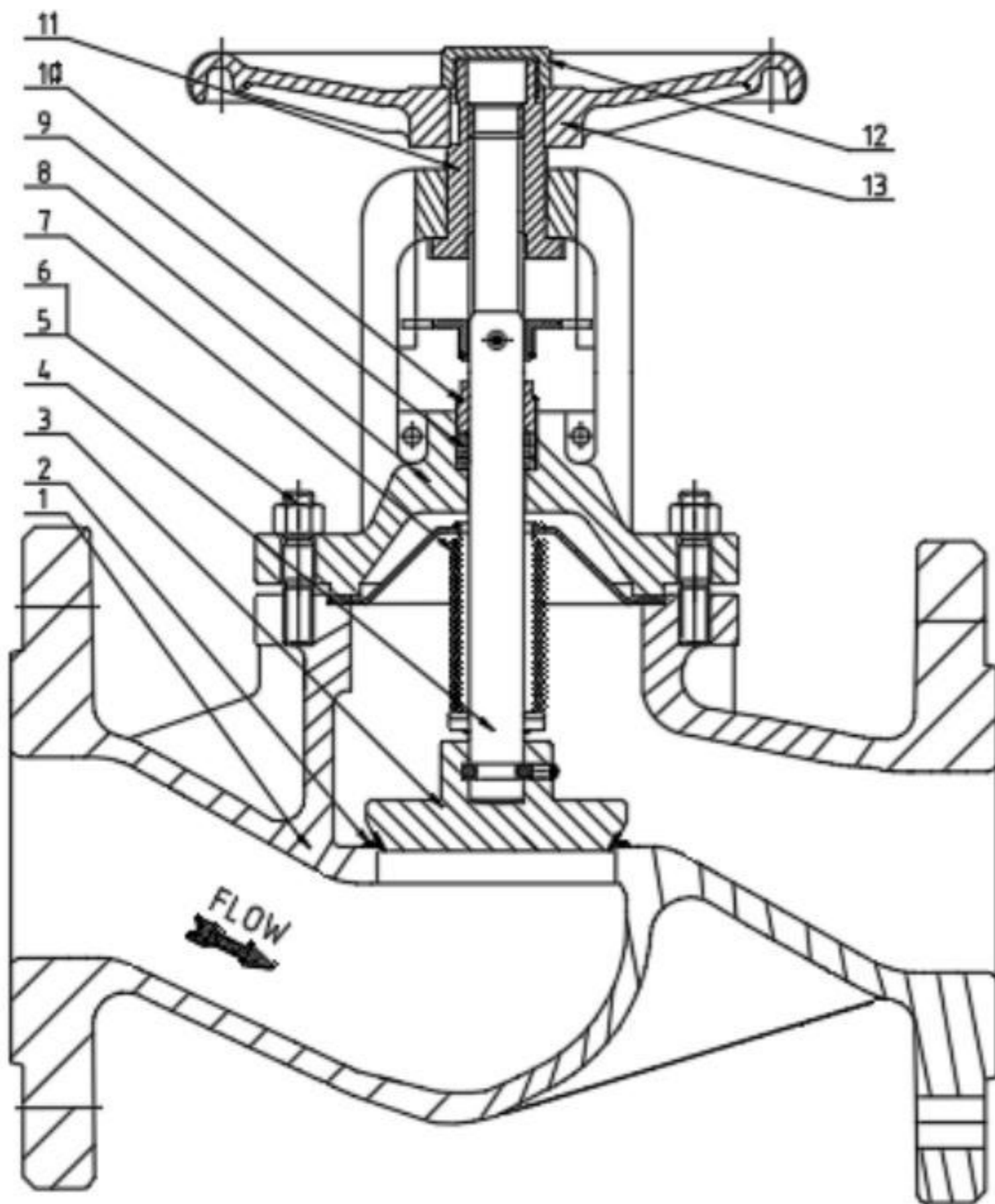
锥形密封面能自动清除杂质
Conical sealing surface will remove impurity automatically

All data, subject to technical changes, are only for information and not for official use.



WEIKE VALVE CO.,LTD

Add: Wuxing Industrial zone, 325105, Oubei Street, Wenzhou City, China
Tel: +86-0577-67388022 Web: www.weke-valves.com Email: info@weke-valves.com


性能优势 Performance advantage

1. 波纹管是波纹管阀门的关键组件，采用自动滚焊，焊在阀瓣与阀杆上，确保阀杆部件 100%零泄露。

Bellow is the key part of bellows sealed valves, which is welded to both the valve bonnet and valve stem, with automatic roll welding. The metal bellow can keep the stem part 100% no leakage.

2. 双密封设计（波纹管+填料）。波纹管形成第一道金属密封防止泄漏，如果波纹管失效，填料可以提供第二道密封。

Double seal design(bellows+packing). Bellow form a metal seal to prevent leakage, and packing can provide seal if the bellow failed.

3. 堆焊阀座，即使在恶劣工况下，也能确保可靠的密封。

Overlay welded seat can keep reliable sealing under severe conditions.

4. 人体工程学设计手轮，使用寿命更长，操作轻松便捷且安全可靠。

Ergonomic hand wheel. It provide longer service life and easier

Operation.

技术规范 TECHNICAL SPECIFICATION

设计标准 Design standard: DIN EN 13709:2003

结构长度 Face to face dimension: DIN EN 558-1:1995

连接法兰 Flanged ends: DIN EN 1092-1:2002

对焊连接 Welded ends: DIN EN 12627

试验与检验 Test & inspection: DIN EN 12266:2003

应用 APPLICATION

热油系统、蒸汽系统、冷热水系统等等

Thermal oil system, steam system, hot and cold water system etc.

序号 /No.	零件名称 Parts Name	材质 Materials		
1	阀体 Body	GS-C25/1.0619	CF8/1.4308	CF8M/1.4408
2	阀座 Seat	Overlay 13Cr	SS304	SS316
3	阀瓣 Disc	A105+13Cr	SS304	SS316
4	阀杆 Stem	X20Cr13	SS304	SS316
5	螺母 Nut	A194 2H	A194 8	A194 8M
6	螺栓 Bolt	A193 B7	A193 B8	A193 B8M
7	波纹管 Bellows	SS321/SS316	SS321/SS316	SS316
8	阀盖 Bonnet	GS-C25/1.0619	CF8/1.4301	CF8M/1.4408
9	填料 Packing	Graphite	Graphite	Graphite
10	压盖 Gland	C.S	SS304	SS304
11	阀杆螺母 Stem nut	A194 2H	A194 8	A194 8M
12	锁紧螺母 Lock nut	A193 B7	A193 B8	A193 B8M
13	手轮 Handwheel	Steel	Steel	Steel

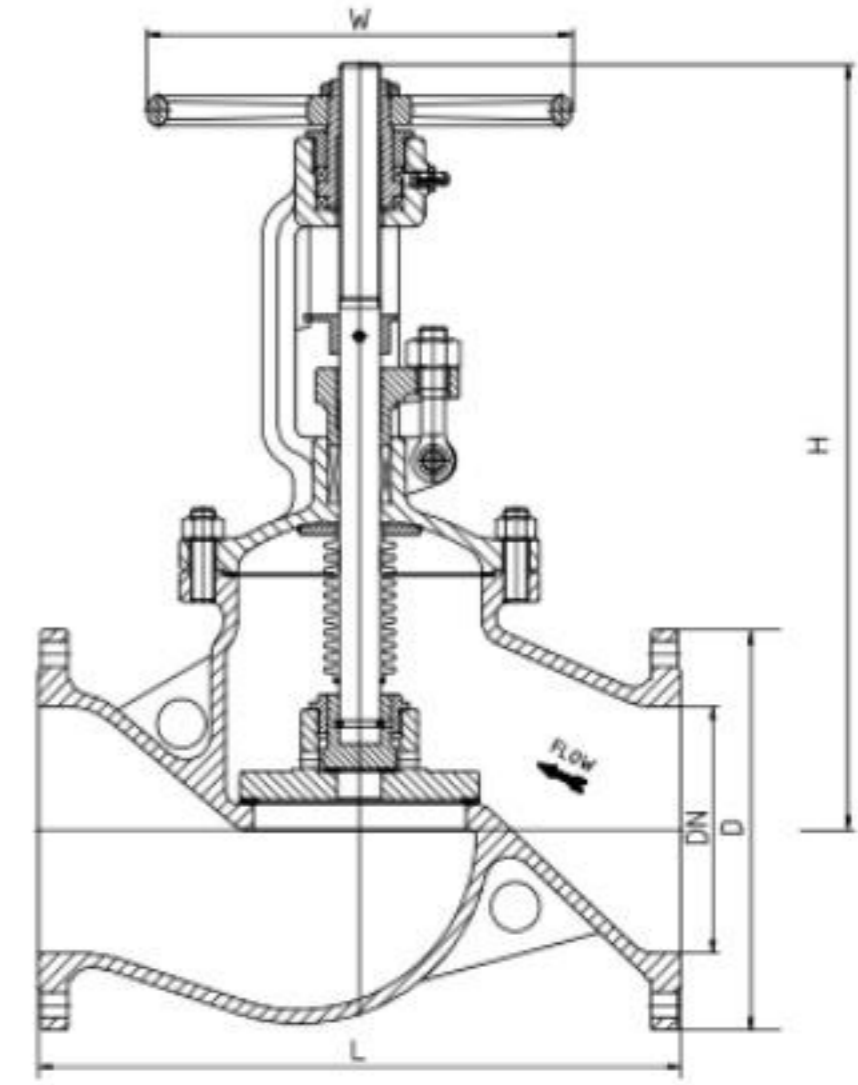
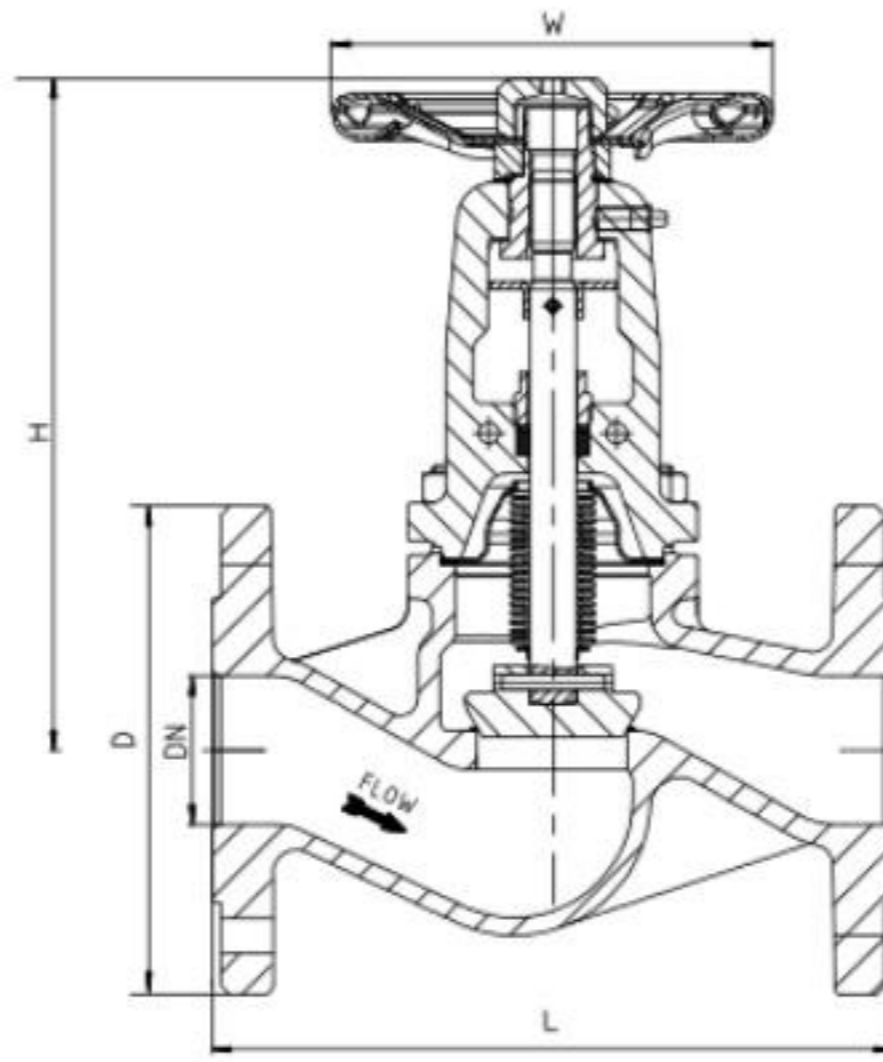
备注 Notes: 以上零件为常规产品材质，如有特殊要求，可根据客户要求变动，如密封面为司太立。

Above parts materials are used for conventional product. If there are special requirements, which can be changed according to customer requirements. For example, the sealing can be Stellite.

All data, subject to technical changes, are only for information and not for official use.


WEIKE VALVE CO.,LTD

Add: Wuxing Industrial zone, 325105, Oubei Street, Wenzhou City, China
 Tel: +86-0577-67388022 Web: www.weke-valves.com Email: info@weke-valves.com



主要连接尺寸 Main Dimensions(mm)		Fig. VK811 PN16															
口径 Size DN	15	20	25	32	40	50	65	80	100	125	150	200	250	300	350	400	
总长 L RF/BW	130	150	160	180	200	230	290	310	350	400	480	600	730	850	980	1100	
外圆 D	95	105	115	140	150	165	185	200	220	250	285	340	405	480	520	580	
手轮 W	140	140	160	160	180	200	220	250	300	350	400	450	550	600	700	700	
中心高 H	192	192	207	207	245	253	295	328	385	427	480	672	775	852	1005	1140	
重量 Weight(kg)	4	4.8	5.8	7.8	9.5	12.5	17	22	35	50	81	130	240	305	510	740	
行程 Stroke	8	8	10	10	12	15	17	22	28	34	40	60	75	85	100	110	
流量 Kvs (m3/h)	4.2	7.4	12	19	30	47	77	120	188	285	410	725	1140	1660	2230	2950	
		Fig. VK812 PN25															
口径 Size DN	15	20	25	32	40	50	65	80	100	125	150	200	250	300	350	400	
总长 L RF/BW	130	150	160	180	200	230	290	310	350	400	480	600	730	850	980	1100	
外圆 D	95	105	115	140	150	165	185	200	235	270	300	360	425	485	555	620	
手轮 W	140	140	160	160	180	200	220	250	300	350	400	450	550	600	700	700	
中心高 H	192	192	207	207	245	253	295	328	385	427	480	672	775	852	1005	1140	
重量 Weight(kg)	4	4.8	5.8	7.8	9.5	12.5	17	22	37	53	82	140	245	315	530	780	
行程 Stroke	8	8	10	10	12	15	17	22	28	34	40	60	75	85	100	110	
流量 Kvs (m3/h)	4.2	7.4	12	19	30	47	77	120	188	285	410	725	1140	1660	2230	2950	
		Fig. VK813 PN40															
口径 Size DN	15	20	25	32	40	50	65	80	100	125	150	200	250	300	350	400	
总长 L RF/BW	130	150	160	180	200	230	290	310	350	400	480	600	730	850	980	1100	
外圆 D	95	105	115	140	150	165	185	200	235	270	300	375	450	515	580	660	
手轮 W	140	140	160	160	180	200	220	250	300	350	400	450	550	600	700	700	
中心高 H	192	192	207	207	245	253	295	328	385	427	480	672	775	852	1005	1140	
重量 Weight(kg)	4	4.8	5.8	7.8	9.5	12.5	17.5	23	38	54	83	142	260	320	560	820	
行程 Stroke	8	8	10	10	12	15	17	22	28	34	40	60	75	85	100	110	
流量 Kvs (m3/h)	4.2	7.4	12	19	30	47	77	120	188	285	410	725	1140	1660	2230	2950	

All data, subject to technical changes, are only for information and not for official use.

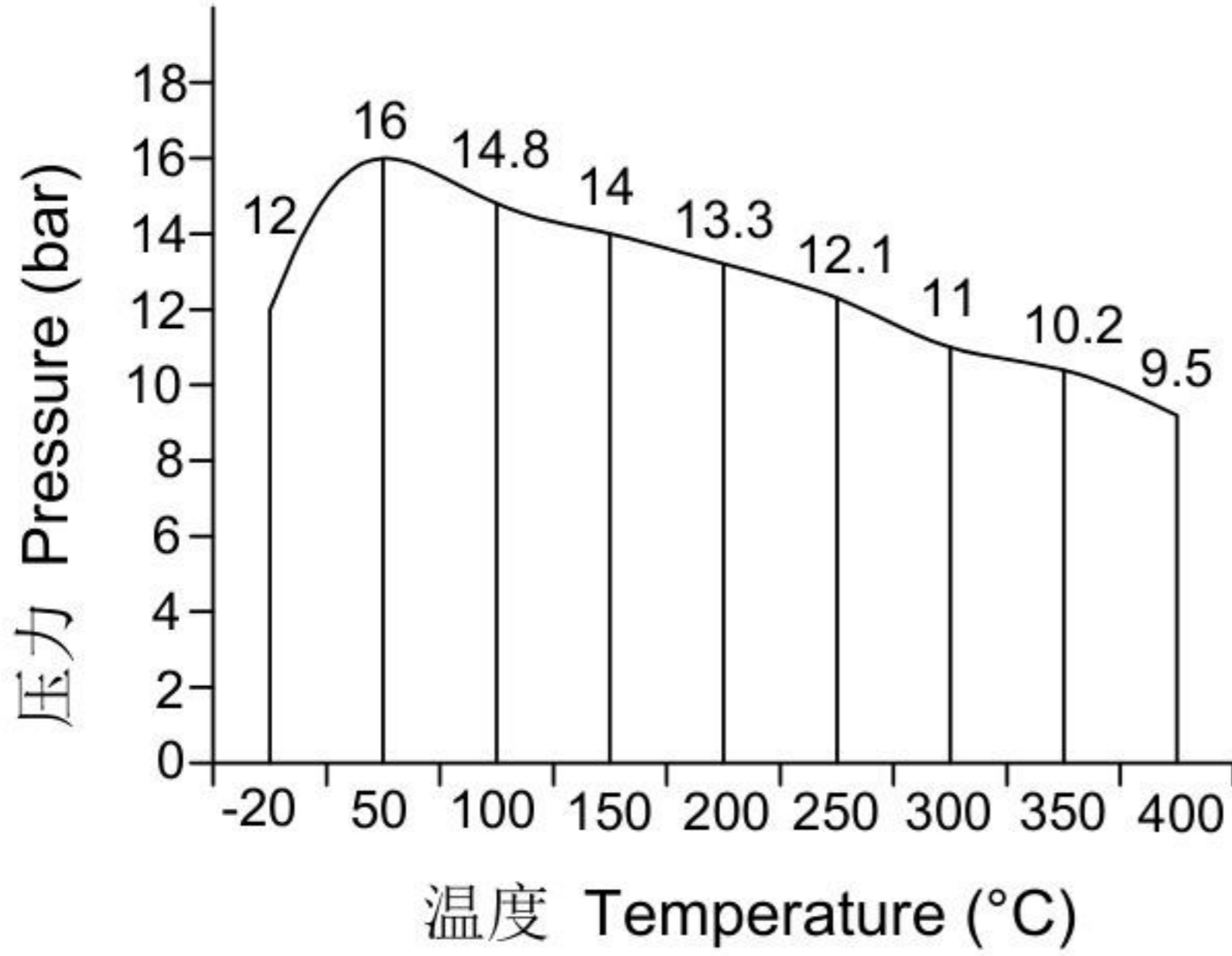


WEIKE VALVE CO.,LTD

Add: Wuxing Industrial zone,325105, Oubei Street, Wenzhou City, China
 Tel: +86-0577-67388022 Web: www.weke-valves.com Email: info@weke-valves.com

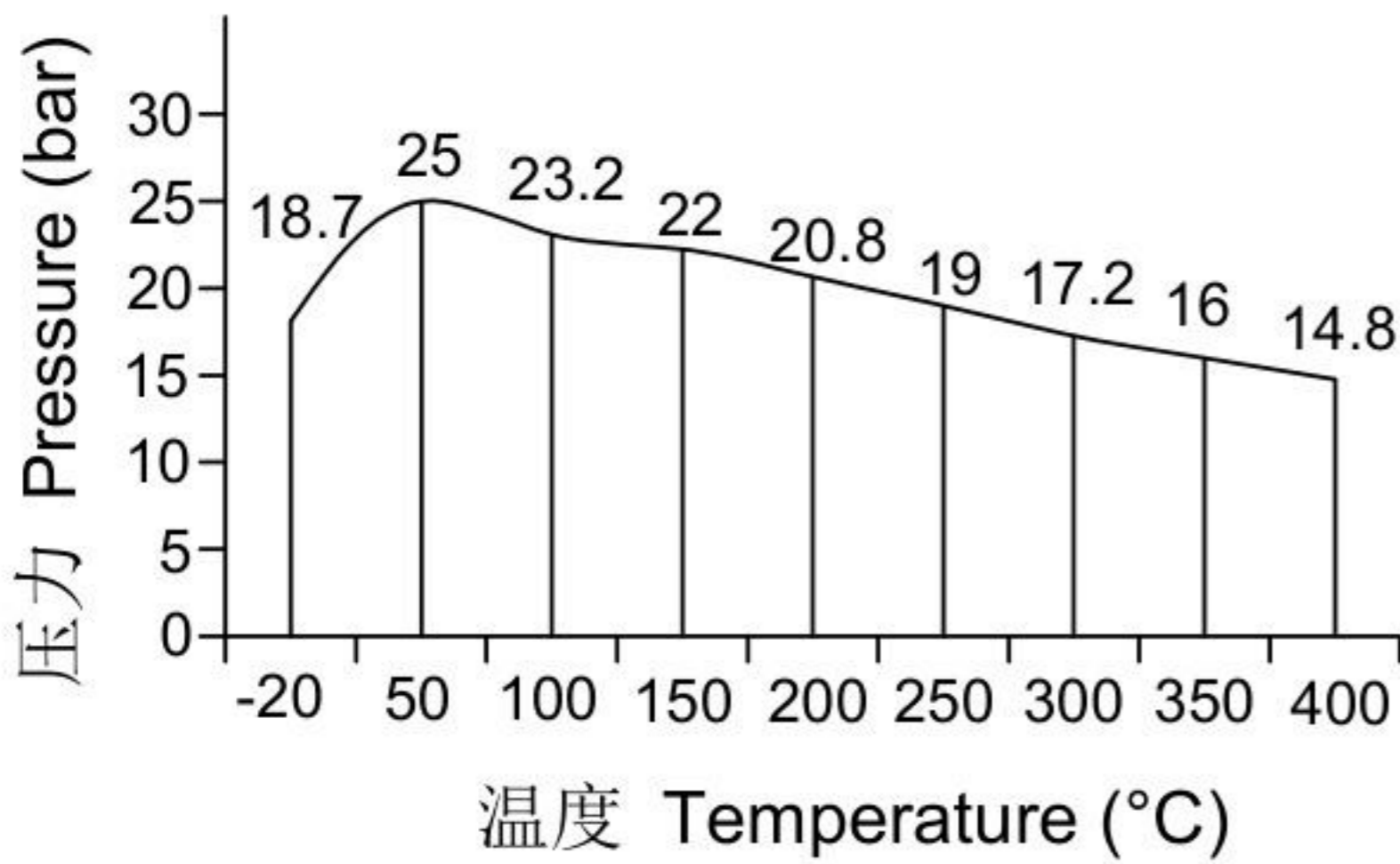
压力-温度额定值

PRESSURE-TEMPERATURE RATINGS



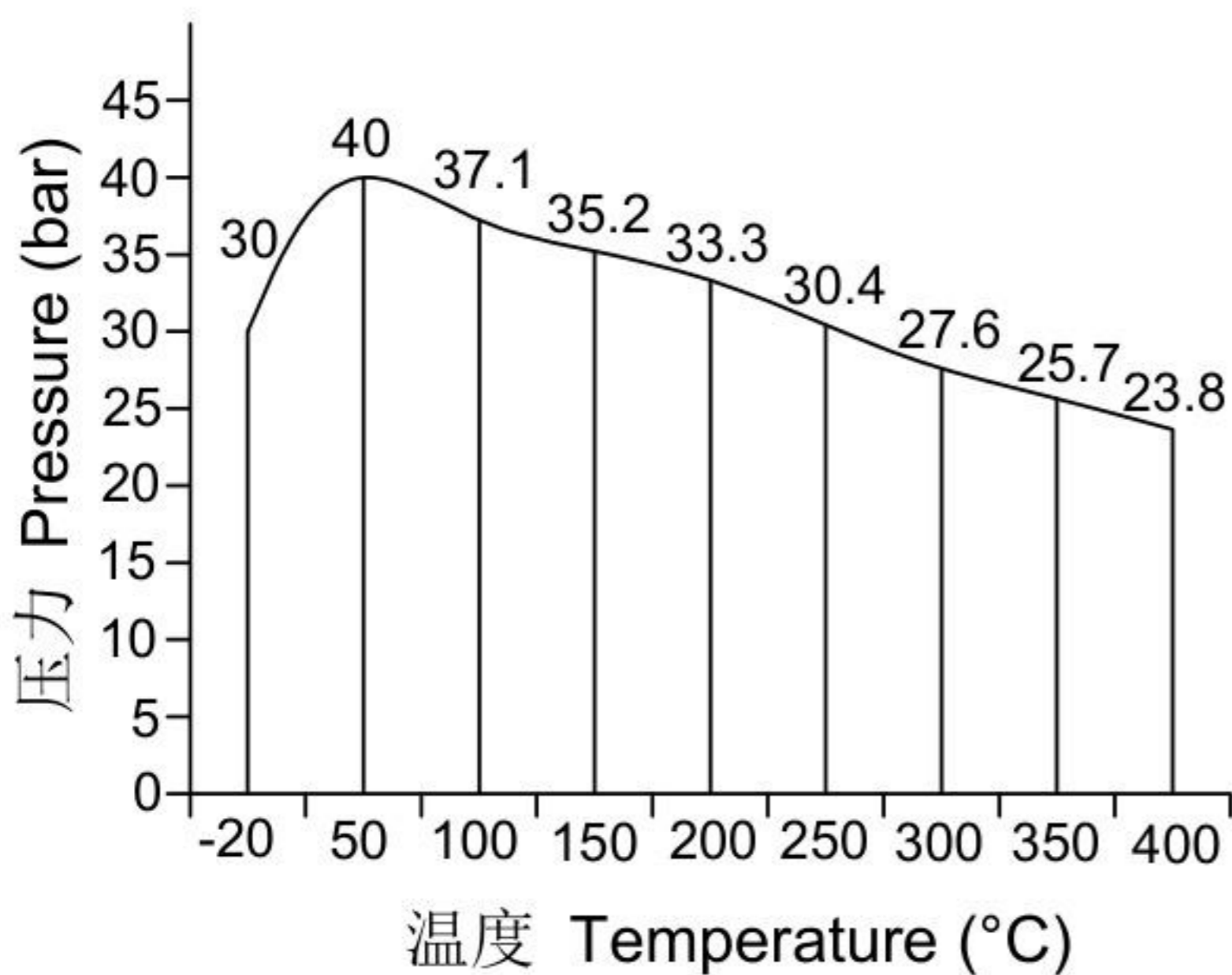
允许的工作条件范围
阀体材质: WCB/1.0619/GS-C25

Allowed working conditions range
Body material:WCB/1.0619/GS-C25



允许的工作条件范围
阀体材质: WCB/1.0619/GS-C25

Allowed working conditions range
Body material:WCB/1.0619/GS-C25



允许的工作条件范围
阀体材质: WCB/1.0619/GS-C25

Allowed working conditions range
Body material:WCB/1.0619/GS-C25



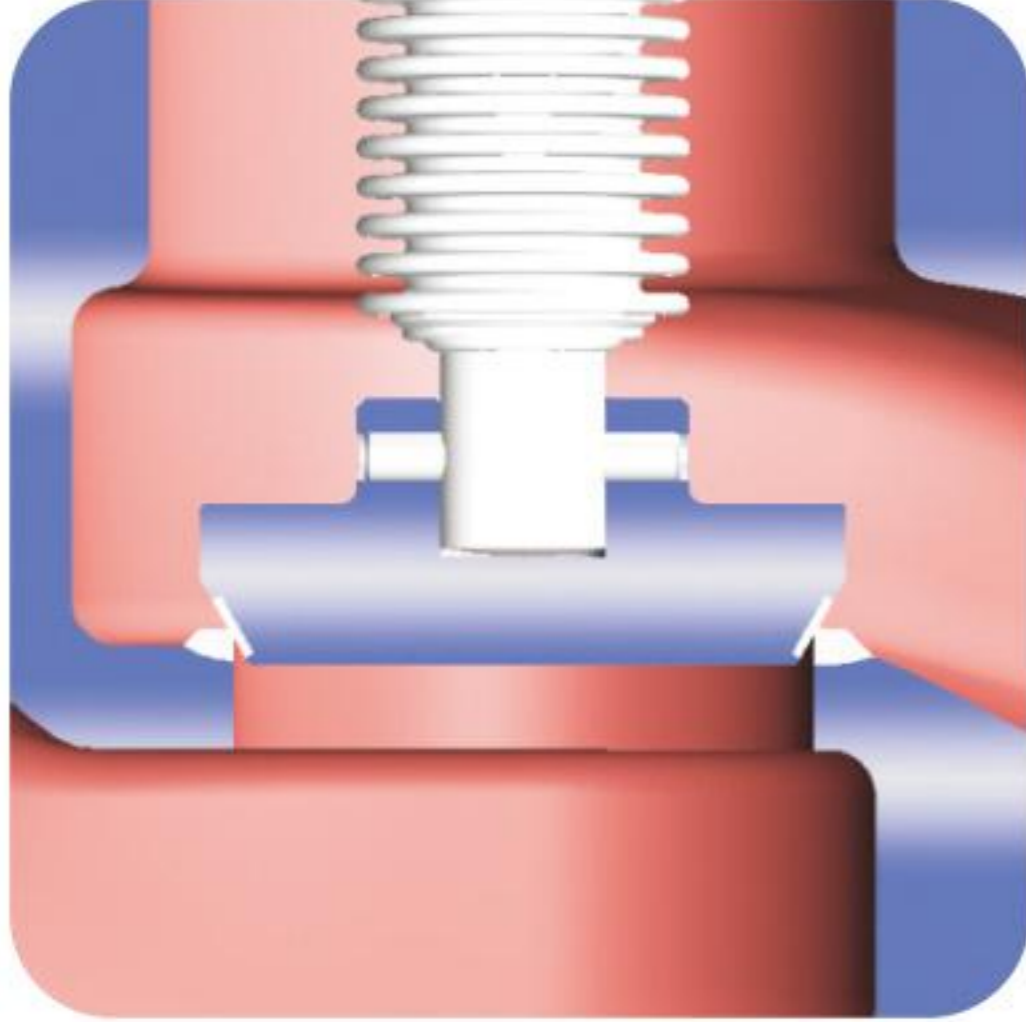
All data, subject to technical changes, are only for information and not for official use.



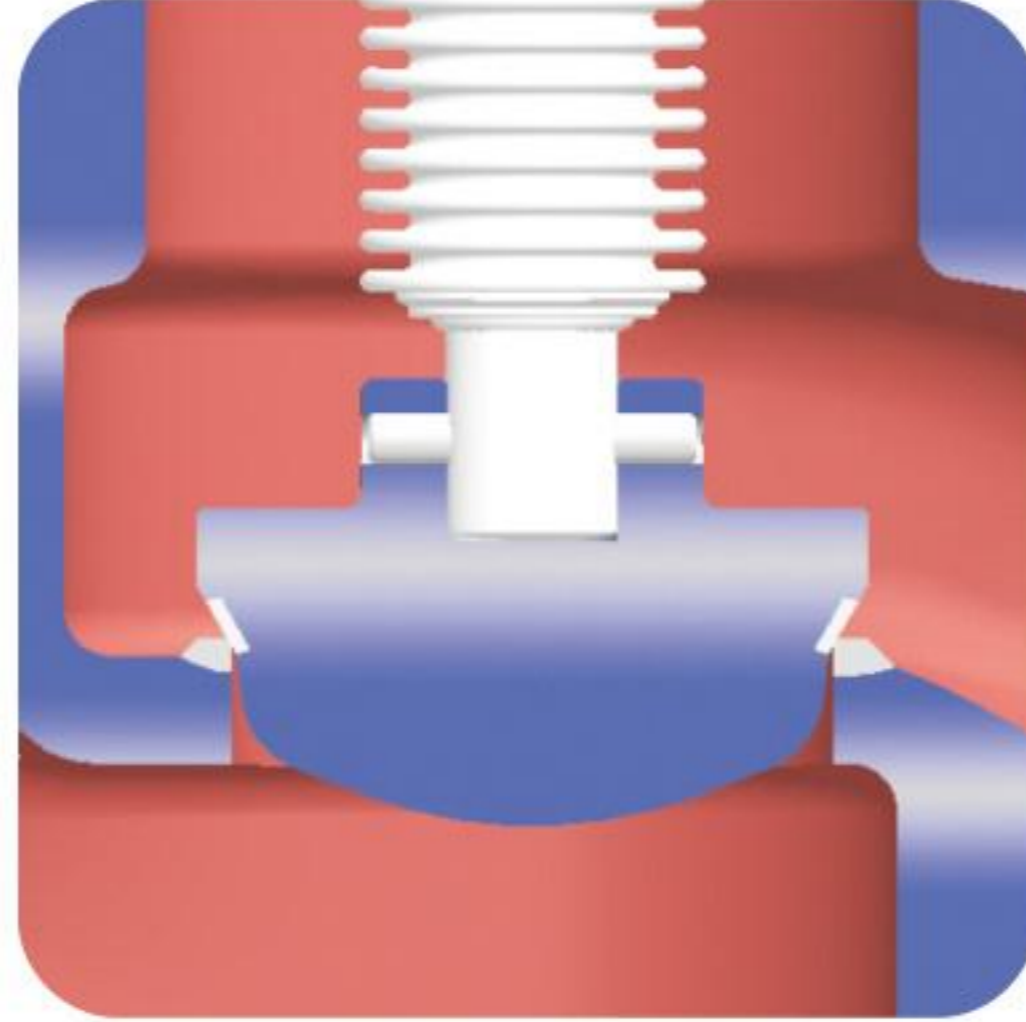
WEIKE VALVE CO.,LTD

Add: Wuxing Industrial zone,325105, Oubei Street, Wenzhou City, China
Tel: +86-0577-67388022 Web: www.weke-valves.com Email: info@weke-valves.com

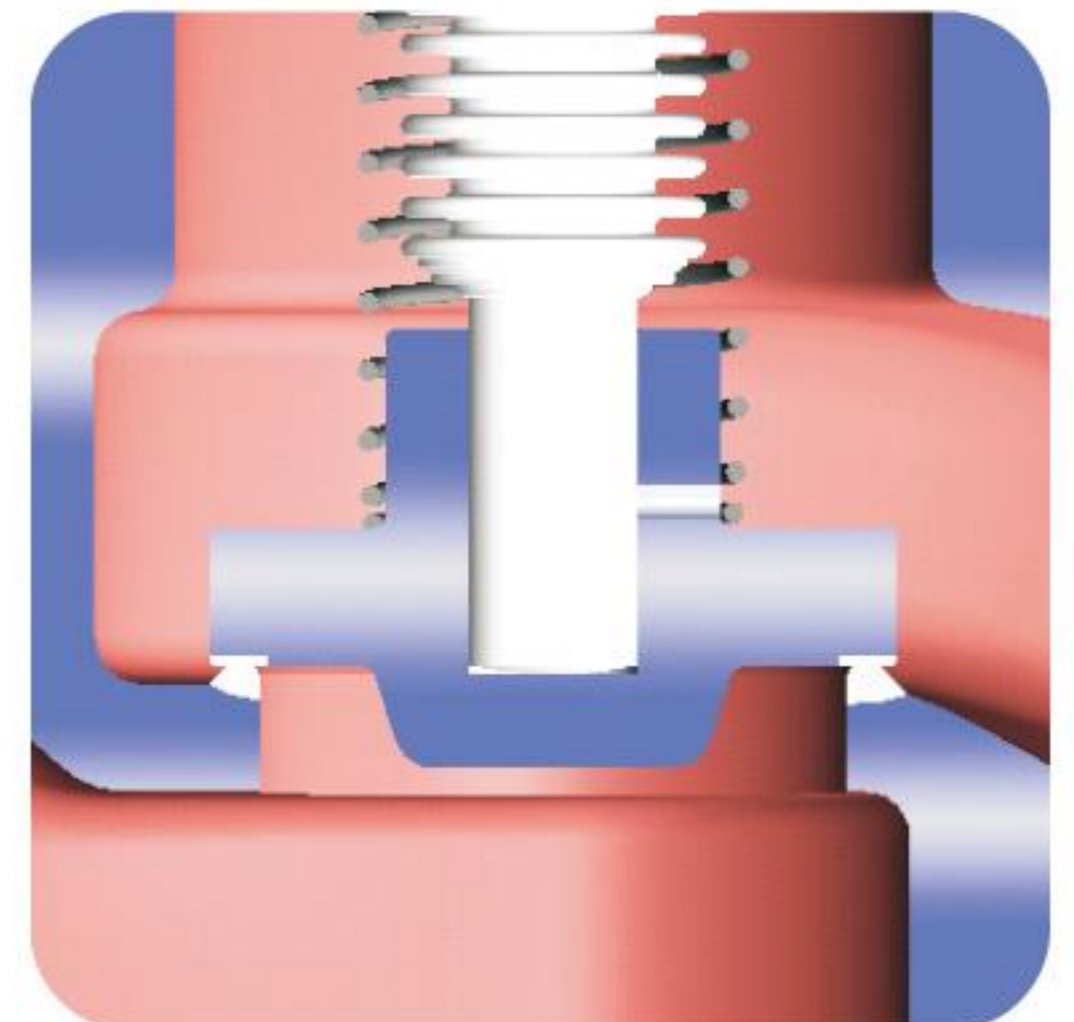
更多可供选择的阀瓣类型，且易于更换。
More disc type are available and easy to replace.



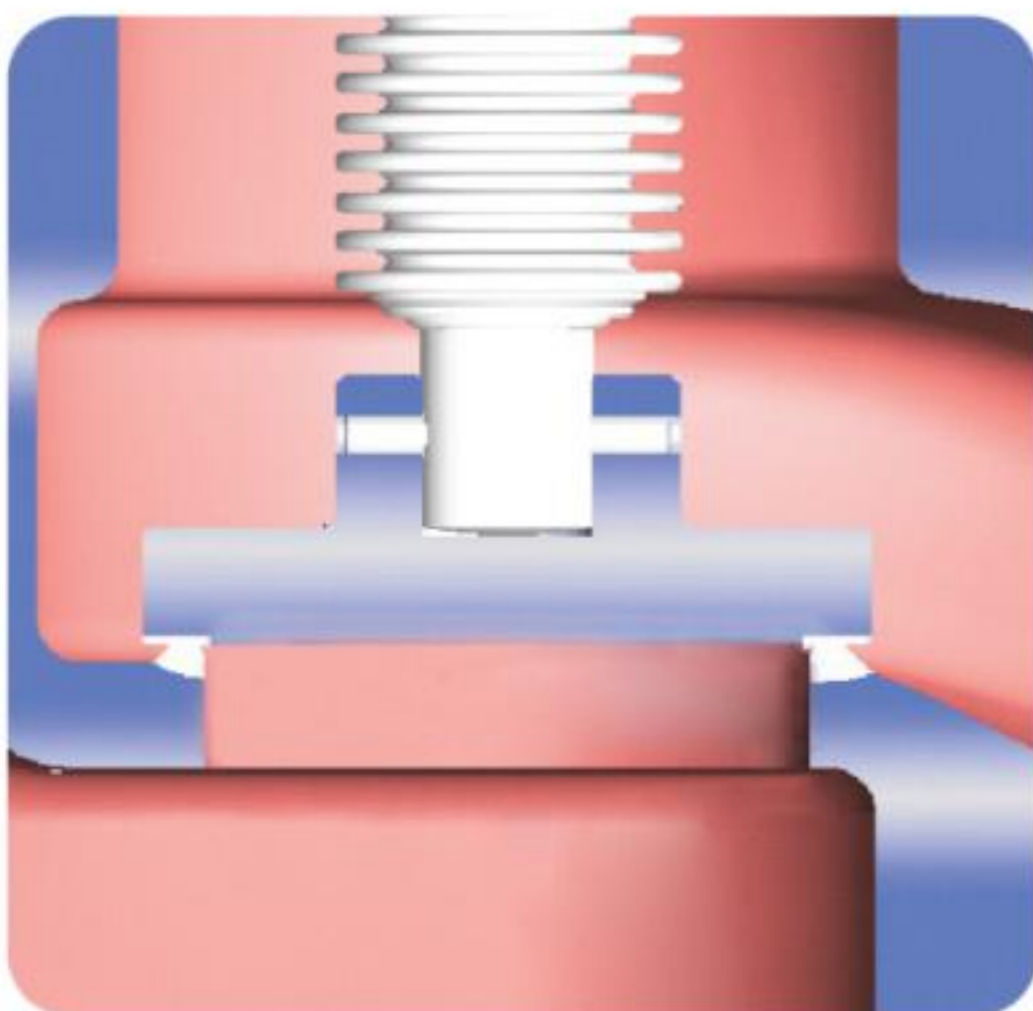
阀瓣型号/Disc type: D1
锥形密封面能自动清除杂质
Conical sealing surface will remove impurity automatically



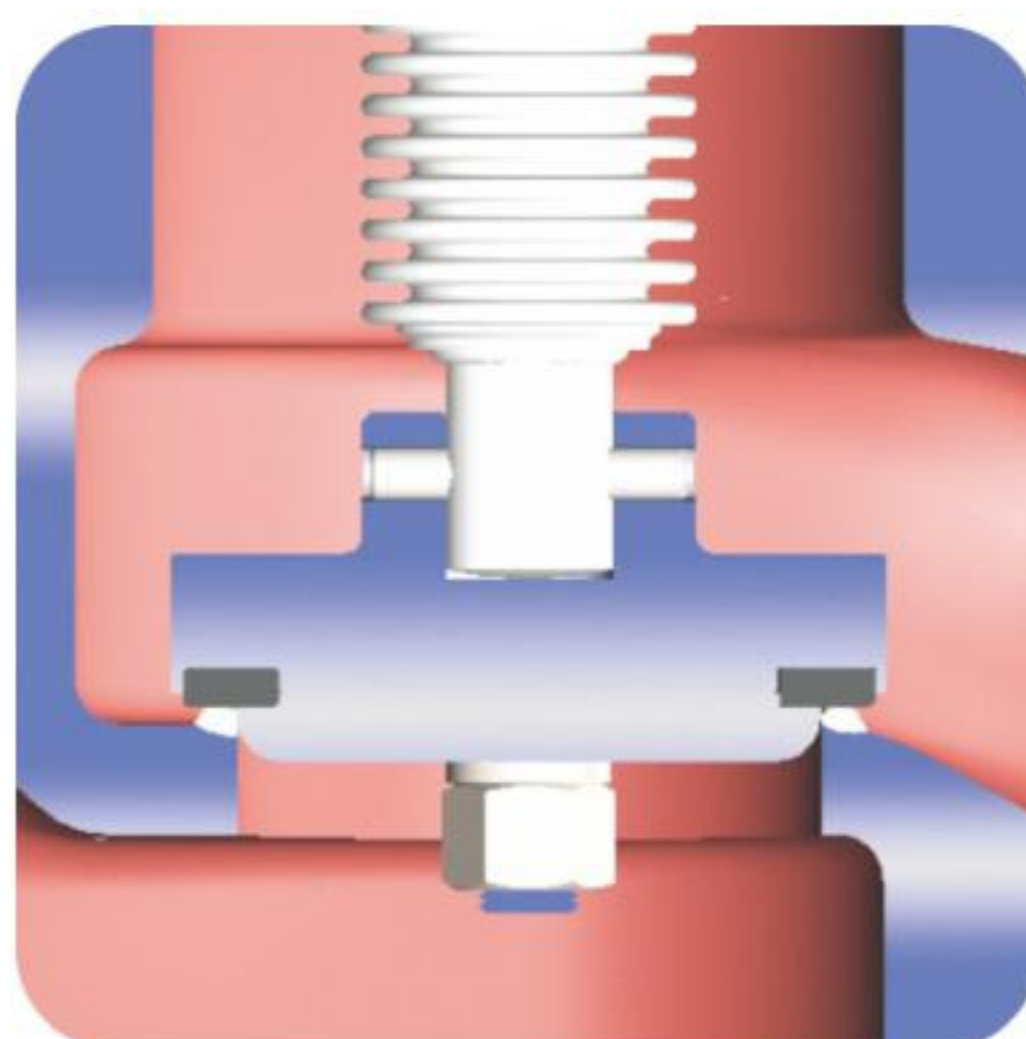
阀瓣型号/Disc type: D2
抛物线型阀瓣设计能更好的提高水锤的耐受力
Conical sealing surface will remove impurity automatically



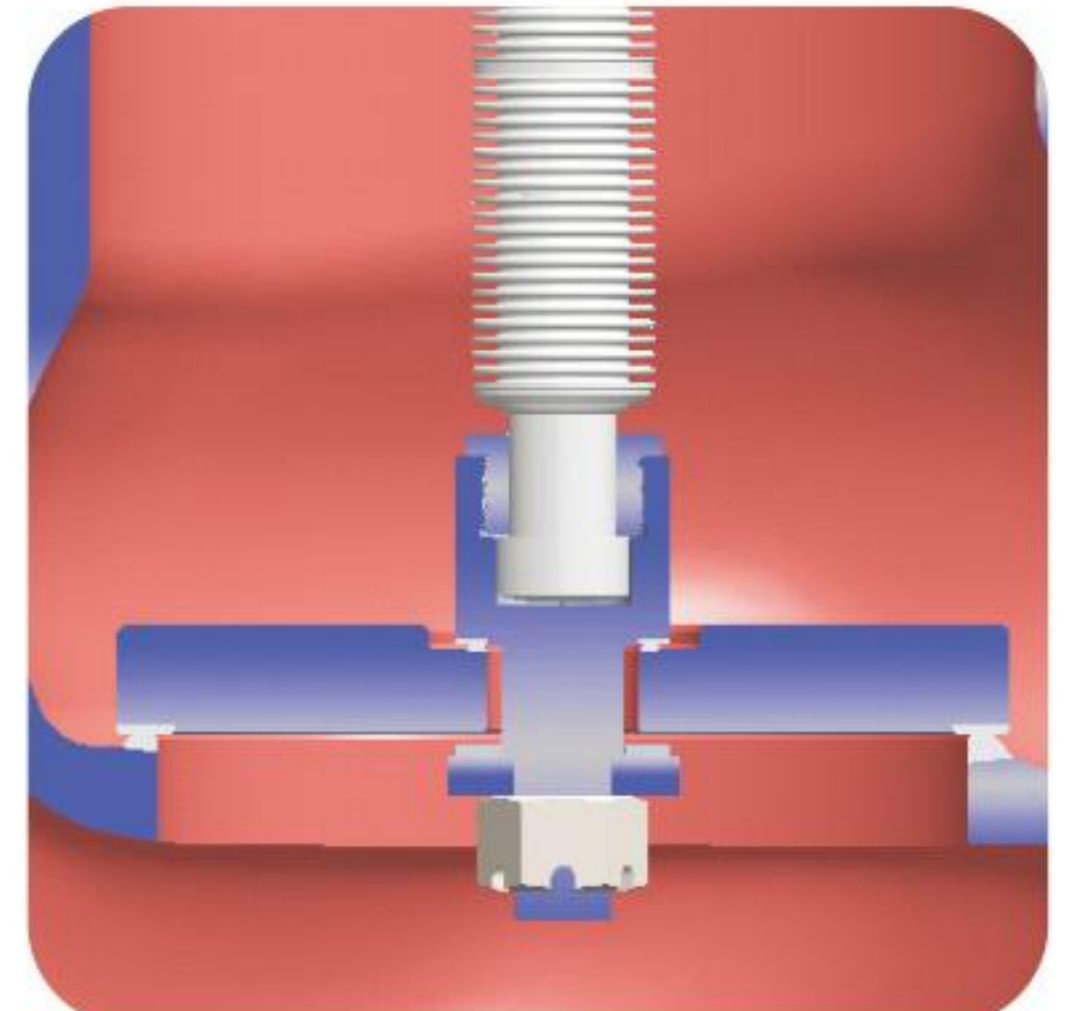
阀瓣型号/Disc type: D3
截止止回阀的阀瓣和弹簧，可以安装在任何位置
SDNR (Globe-check) disc with spring, it can be installed in any position



阀瓣型号/Disc type: D4
平面阀瓣，开关反应迅速
Flat disc, fast action



阀瓣型号/Disc type: D5
软密封表面能防止火花，且容易更换
Soft sealing surface can prevent sparks, and easy for replacemen



阀瓣型号/Disc type: D6
平衡型的阀瓣更加容易开启，密封性能更好，通常用于DN200以上的阀门
Balance type disc is easy for opening, with good sealing, applied while valve size bigger than Dn200

All data, subject to technical changes, are only for information and not for official use.



WEIKE VALVE CO.,LTD

Add: Wuxing Industrial zone,325105, Oubei Street, Wenzhou City, China
Tel: +86-0577-67388022 Web: www.weke-valves.com Email: info@weke-valves.com